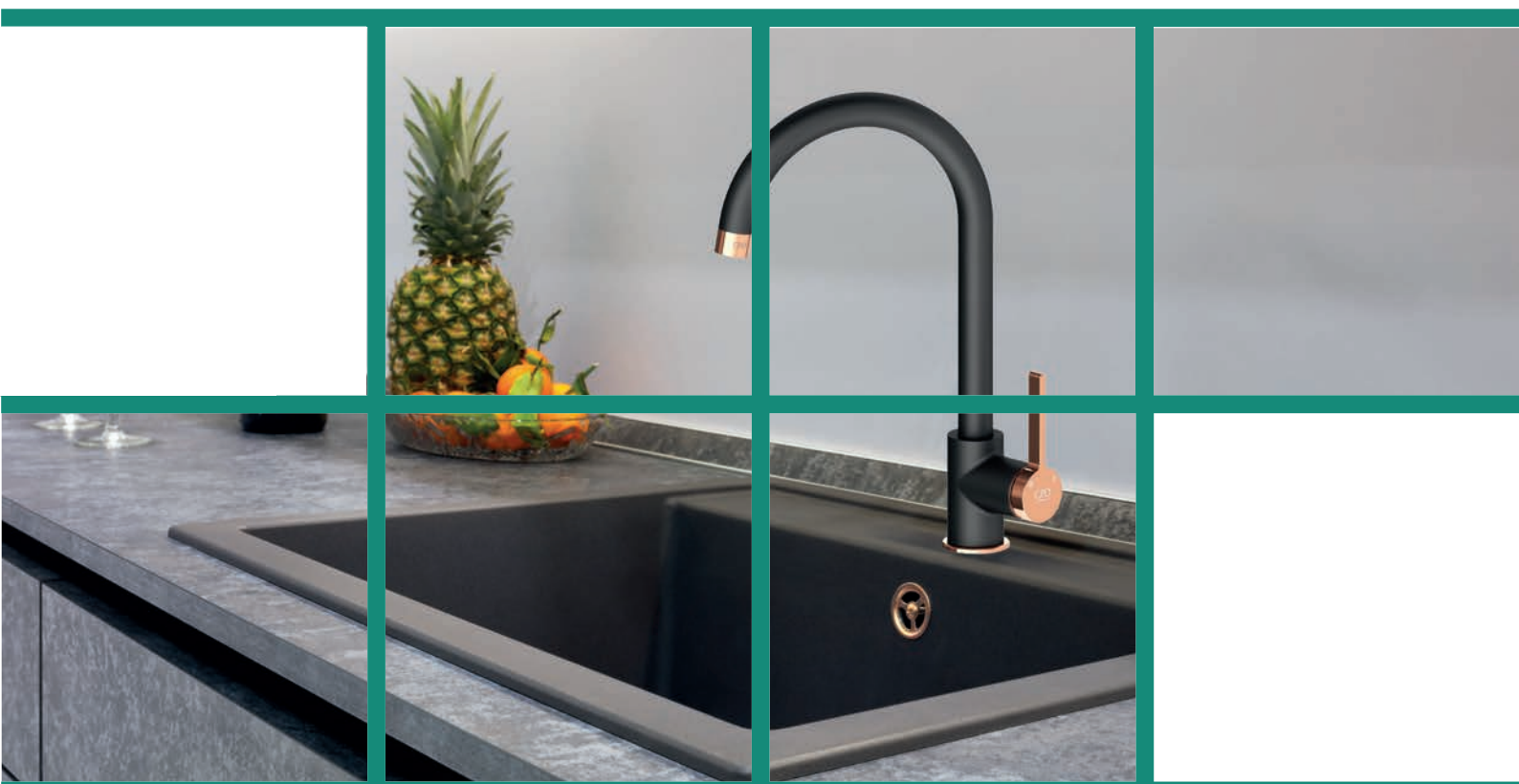


# GPD

Bath & Kitchen  
Armatures



## '19 NEW PRODUCTS CATALOG

[www.gpd.com.tr](http://www.gpd.com.tr)



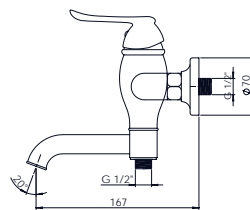
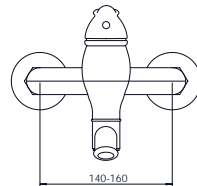
Since 1962 being in the life of manufacturing Gul Pres Dokum Sanayi AS. with the brand name known as GPD has been established in the year 1978 has a deep rooted and significant place throughout the domestic and foreign markets for the production of various bathroom and kitchen armatures, taps and water, gas, radiator valves and unions produced with brass raw materials with hot pressing and die casting. GPD manufactures all products in it's own building located in Istanbul-Beylikduzu on total closed

area of 12.000 m2 which has a contact and sales office in the same area location, Beylikduzu. our company that owns the certificate of TS ISO 9001:2015 Quality and TS ISO 10002:2014 Customer Satisfaction Management that is under the confirmation of TUV, continues the production in paralel of Quality Guarantee System conditions. The primary goals of our team are Total Quality, Customer Satisfaction and Modern Esterprising.

# TAURO



## MBB150-O Bathroom Armature

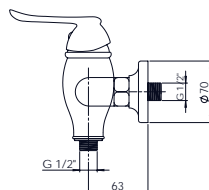
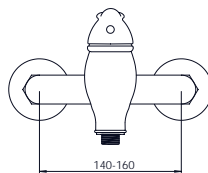


- Special aerator (flow rate 16 lt/min)
- Special outlet tip design with 90° rotation
- Special coating with copper effect retro style
- Shower alignment with outlet brought in parallel with the wall surface
- Aerator shower alignment with outlet brought in perpendicular with the wall surface
- Special cartridge with heat and flow rate adjustment
- Length of outlet 167 mm
- Armature connection threads are 3/4"
- Eccentric connection threads are 3/4" - 1/2"
- Spiral hose connection thread 1/2"
- Ideal operation pressure 3-4 bar
- To prevent any damage which can be caused by the contaminants inside the fittings, a filter at the entrance of the flat is recommended.

Cartridge Diameter : Ø35

Surface : ORB Coating

## MDB150-O Shower Armature

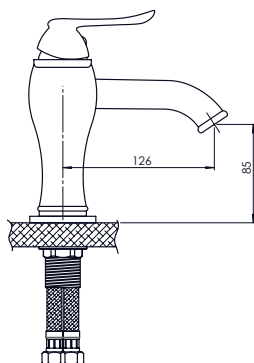


- Special cartridge with heat and flow rate adjustment
- Special coating with copper effect retro style
- Shower outlet length is 63 mm
- Armature connection threads are 3/4"
- Eccentric connection threads are 3/4" - 1/2"
- Spiral hose connection thread 1/2"
- Ideal operation pressure 3-4 bar
- To prevent any damage which can be caused by the contaminants inside the fittings, a filter at the entrance of the flat is recommended.

Cartridge Diameter : Ø35

Surface : ORB Coating

## MLB150-O Wash-Basin Armature

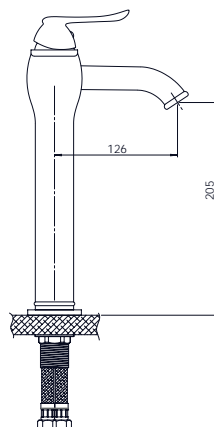


- Special aerator (flow rate 8 lt/min)
- Special coating with copper effect retro style
- Special cartridge with heat and flow rate adjustment
- Length of outlet is 126 mm
- Height of outlet is 85 mm
- Measurements of hot and cold water flex hose connection are M10x1 - 3/8" (or 1/2")40 cm
- Ideal operation pressure 3-4 bar
- To prevent any damage which can be caused by the contaminants inside the fittings, a filtered interval tap is recommended.

Cartridge Diameter : Ø35

Surface : ORB Coating

## MSL150-O Over Table Wash-Basin Armature

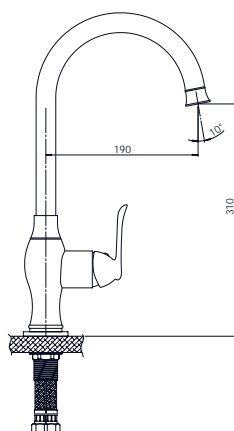


- Special aerator (flow rate 8 lt/min)
- Special coating with copper effect retro style
- Special cartridge with heat and flow rate adjustment
- Long height to be used at over table wash basins
- Length of outlet is 126 mm
- Height of outlet is 205 mm
- Measurements of hot and cold water flex hose connection are M10x1 - 3/8" (or 1/2")40 cm
- Ideal operation pressure 3-4 bar
- To prevent any damage which can be caused by the contaminants inside the fittings, a filtered interval tap is recommended.

Cartridge Diameter : Ø35

Surface : ORB Coating

## MTE150-O Monoblock Sink Armature



- Special aerator (flow rate 8 lt/min)
- Special coating with copper effect retro style
- Special cartridge with heat and flow rate adjustment
- With swivel spout
- Length of outlet is 190 mm
- Height of outlet is 310 mm
- Measurements of hot and cold water flex hose connection are M10x1 - 3/8" (or 1/2")40 cm
- Ideal operation pressure 3-4 bar
- To prevent any damage which can be caused by the contaminants inside the fittings, a filtered interval tap is recommended.

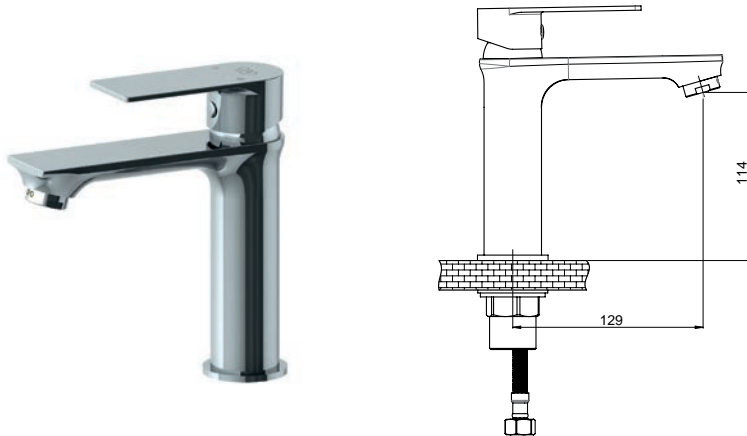
Cartridge Diameter : Ø35

Surface : ORB Coating

## PROVIDO



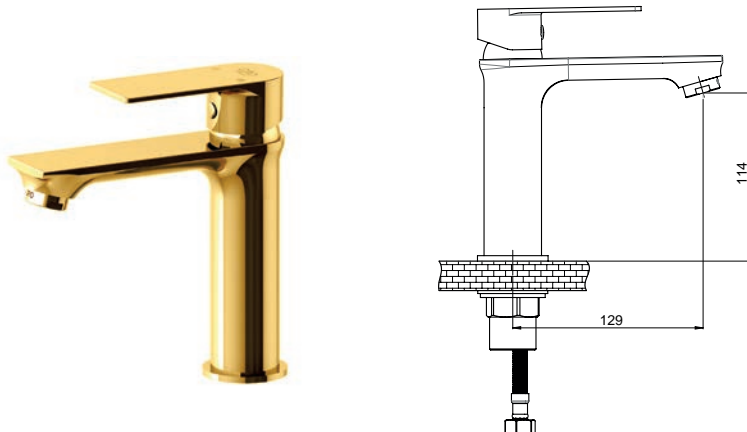
### MLB156 Short Wash-Basin Armature



- Special aerator (flow rate 8 lt/min)
- Special cartridge with heat and flow rate adjustment
- Length of outlet is 129 mm
- Height of outlet is 114 mm
- Measurements of hot and cold water flex hose connection are M10x1 - 3/8" (or 1/2")40 cm
- Ideal operation pressure 3-4 bar
- To prevent any damage which can be caused by the contaminants inside the fittings, a filtered interval tap is recommended.

Cartridge Diameter : Ø35  
Surface : Chrome

### MLB156-A Short Wash-Basin Armature



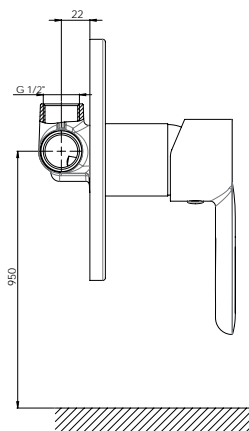
- Special aerator (flow rate 8 lt/min)
- Special cartridge with heat and flow rate adjustment
- Length of outlet is 129 mm
- Height of outlet is 114 mm
- Measurements of hot and cold water flex hose connection are M10x1 - 3/8" (or 1/2")40 cm
- Ideal operation pressure 3-4 bar
- To prevent any damage which can be caused by the contaminants inside the fittings, a filtered interval tap is recommended.

Cartridge Diameter : Ø35  
Surface : Gold (PVD Coating)

# FELIS



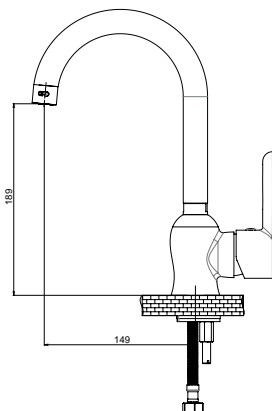
## MAD75 Embedded Shower Armature



- Special cartridge with heat and flow rate adjustment
- Compatible with all embedded shower heads and with all handsets by using GGRO5
- Connection size 1/2" (inlet-outlet)
- Shower outlet wall connection dimension 1/2"
- Installation under plaster
- Ideal working pressure 3-4 bar
- To prevent any damage which can be caused by the contaminants inside the fittings, a filter at the entrance of the flat is recommended.

Cartridge Diameter : Ø35  
Surface : Chrome

## MTL75 Monoblock Wash-Basin Armature



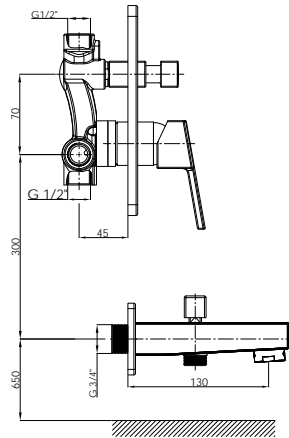
- Special water saving aerator (Bubble flow, with lime breaker) (flow rate 8 lt/min)
- Special cartridge with heat and flow rate adjustment
- With swivel spout
- Length of outlet is 149 mm
- Height of outlet is 189 mm
- Measurements of hot and cold water flex hose connection are M10x1 - 3/8" (or 1/2")40 cm
- Ideal working pressure 3-4 bar
- To prevent any damage which can be caused by the contaminants inside the fittings, a filtered interval tap is recommended.

Cartridge Diameter : Ø35  
Surface : Chrome

# TULIO



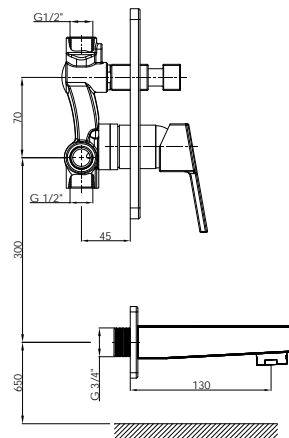
## MTA135 Fully Embedded Bathroom Armature



- Special water saving aerator 28x1 (Bubble flow, with lime breaker) (flow rate 1.6lt/min)
- Exclusive design square rosette and square diverter handle, square cartridge cover
- Compatible with all embedded shower heads and with all handsets
- Length of outlet is 130 mm
- Measurements of outlet connection 3/4" (can be converted to 1/2" with special nipple up on request)
- Installation under plaster
- Ideal working pressure 3-4 bar
- To prevent any damage which can be caused by the contaminants inside the fittings, a filter at the entrance of the flat is recommended.

Cartridge Diameter : Ø35  
Surface : Chrome

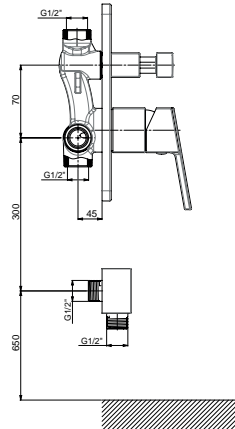
## MAB135 Embedded Bathroom Armature



- Special water saving aerator 28x1 (Bubble flow, with lime breaker) (flow rate 1.6lt/min)
- Exclusive design square rosette and square diverter handle, square cartridge cover
- Compatible with all embedded shower heads and with all handsets by using GGR04
- Length of outlet is 130 mm
- Measurements of outlet connection 3/4" (can be converted to 1/2" with special nipple up on request)
- Installation under plaster
- Ideal working pressure 3-4 bar
- To prevent any damage which can be caused by the contaminants inside the fittings, a filter at the entrance of the flat is recommended.

Cartridge Diameter : Ø35  
Surface : Chrome

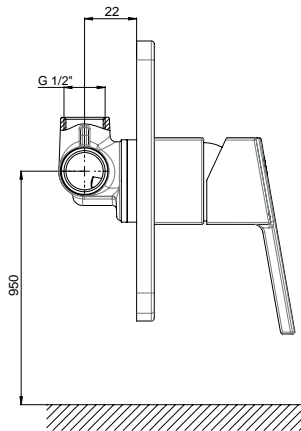
## MKB135 Embedded Cabin Armature



- Exclusive design square rosette and square diverter handle, square cartridge cover
- Compatible with all embedded shower heads and with all handsests
- Shower outlet length 17,5 mm
- Shower outlet wall connection dimension 1/2"
- Shower outlet spiral hose connection dimension 1/2"
- Installation under plaster
- Ideal working pressure 3-4 bar
- To prevent any damage which can be caused by the contaminants inside the fittings, a filter at the entrance of the flat is recommended.

Cartridge Diameter : Ø35  
Surface : Chrome

## MAD135 Embedded Shower Armature

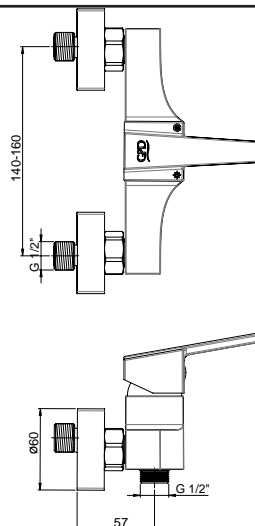
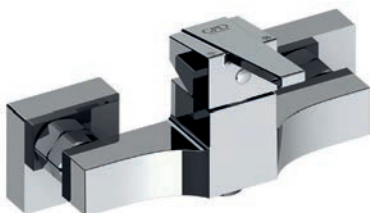


- Compatible with all embedded shower heads and with all handsests by using GGR04
- Connection size 1/2" (inlet-outlet)
- Shower outlet wall connection dimension 1/2"
- Installation under plaster
- Ideal working pressure 3-4 bar
- To prevent any damage which can be caused by the contaminants inside the fittings, a filter at the entrance of the flat is recommended.

Cartridge Diameter : Ø35  
Surface : Chrome



## MDB85 MDB85-C Shower Armature



- Special cartridge with heat and flow rate adjustment
- Cold start cartridge when the handle is in the middle position, system start with cold water

- Shower outlet length is 57 mm
- Armature connection threads are 3/4"
- Eccentric connection threads are 3/4" - 1/2"
- Spiral hose connection thread 1/2"
- Ideal operation pressure 3-4 bar
- To prevent any damage which can be caused by the contaminants inside the fittings, a filter at the entrance of the flat is recommended.

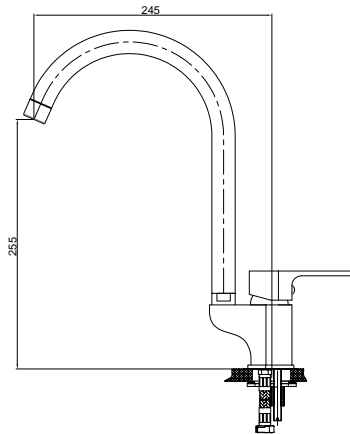
Cartridge Diameter : Ø35  
Surface : Chrome



# ATROS



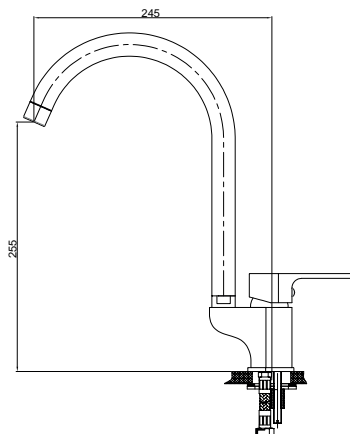
## MTE65-KG Monoblock Sink Armature



- Special water saving aerator (Bubble flow, with lime breaker) (flow rate 8 lt/min)
- Special cartridge with heat and flow rate adjustment
- With swivel spout
- Length of outlet is 245 mm
- Height of outlet is 255 mm
- Measurements of hot and cold water flex hose connection are M10x1 - 3/8" (or 1/2")40 cm
- Ideal operation pressure 3-4 bar
- To prevent any damage which can be caused by the contaminants inside the fittings, a filtered interval tap is recommended.

Cartridge Diameter : Ø35  
Surface : Cream Granite

## MTE65-BG Monoblock Sink Armature

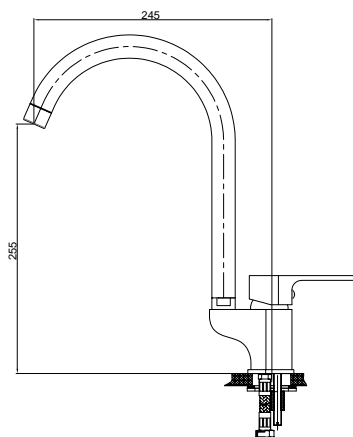


- Special water saving aerator (Bubble flow, with lime breaker) (flow rate 8 lt/min)
- Special cartridge with heat and flow rate adjustment
- With swivel spout
- Length of outlet is 245 mm
- Height of outlet is 255 mm
- Measurements of hot and cold water flex hose connection are M10x1 - 3/8" (or 1/2")40 cm
- Ideal operation pressure 3-4 bar
- To prevent any damage which can be caused by the contaminants inside the fittings, a filtered interval tap is recommended.

Cartridge Diameter : Ø35  
Surface : White Granite

# NEW PRODUCTS 2019

## MTE65-SG Monoblock Sink Armature



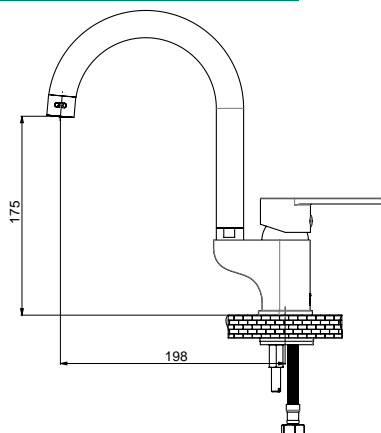
- Special water saving aerator (Bubble flow, with lime breaker) (flow rate 8 lt/min)
- Special cartridge with heat and flow rate adjustment
- With swivel spout
- Length of outlet is 245 mm
- Height of outlet is 255 mm
- Measurements of hot and cold water flex hose connection are M10x1 - 3/8" (or 1/2")40 cm
- Ideal operation pressure 3-4 bar
- To prevent any damage which can be caused by the contaminants inside the fittings, a filtered interval tap is recommended.

Cartridge Diameter : Ø35

Surface : Black Granite



## MTL65 Monoblock Wash-Basin Armature



- Special water saving aerator (Bubble flow, with lime breaker) (flow rate 8 lt/min)
- Special cartridge with heat and flow rate adjustment
- With swivel spout
- Length of outlet is 198 mm
- Height of outlet is 175 mm
- Measurements of hot and cold water flex hose connection are M10x1 - 3/8" (or 1/2")40 cm
- Ideal working pressure 3-4 bar
- To prevent any damage which can be caused by the contaminants inside the fittings, a filtered interval tap is recommended.

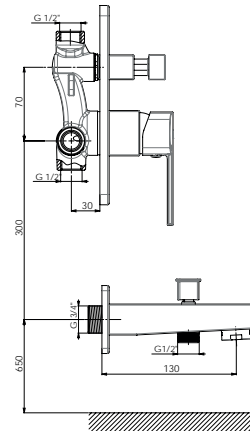
Cartridge Diameter : Ø35

Surface : Chrome

# PEDRA



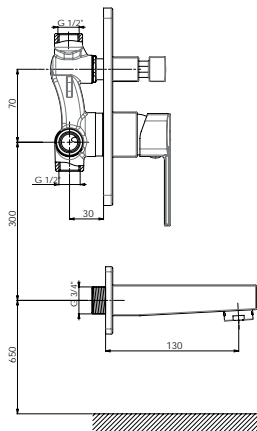
## MTA160 Fully Embedded Bathroom Armature



- Special water saving aerator 28x1 (Bubble flow, with lime breaker) (flow rate 1.6lt/min)
- Exclusive design square rosette and square diverter handle, square cartridge cover
- Compatible with all embedded shower heads and with all handsets
- Length of outlet is 130 mm
- Measurements of outlet connection 3/4" (can be converted to 1/2" with special nipple up on request)
- Installation under plaster
- Ideal working pressure 3-4 bar
- To prevent any damage which can be caused by the contaminants inside the fittings, a filter at the entrance of the flat is recommended.

Cartridge Diameter : Ø35  
Surface : Chrome

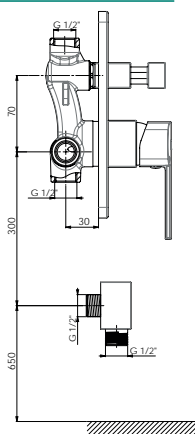
## MAB160 Embedded Bathroom Armature



- Special water saving aerator 28x1 (Bubble flow, with lime breaker) (flow rate 1.6lt/min)
- Exclusive design square rosette and square diverter handle, square cartridge cover
- Compatible with all embedded shower heads and with all handsets by using GGRO4
- Length of outlet is 130 mm
- Measurements of outlet connection 3/4" (can be converted to 1/2" with special nipple up on request)
- Installation under plaster
- Ideal working pressure 3-4 bar
- To prevent any damage which can be caused by the contaminants inside the fittings, a filter at the entrance of the flat is recommended.

Cartridge Diameter : Ø35  
Surface : Chrome

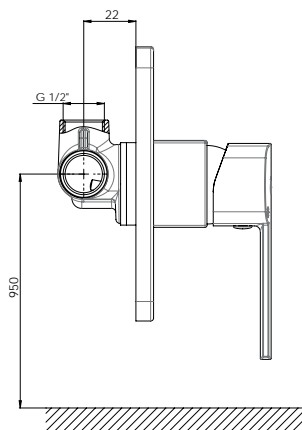
## MKB160 Embedded Cabin Armature



- Exclusive design square rosette and square diverter handle, square cartridge cover
- Compatible with all embedded shower heads and with all handsests
- Shower outlet length 17,5 mm
- Shower outlet wall connection dimension 1/2"
- Shower outlet spiral hose connection dimension 1/2"
- Installation under plaster
- Ideal working pressure 3-4 bar
- To prevent any damage which can be caused by the contaminants inside the fittings, a filter at the entrance of the flat is recommended.

Cartridge Diameter : Ø35  
Surface : Chrome

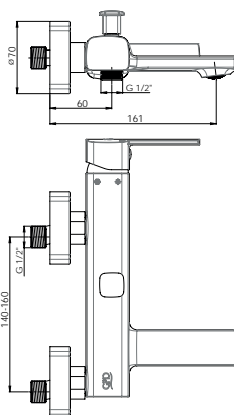
## MAD160 Embedded Shower Armature



- Compatible with all embedded shower heads and with all handsests by using GGR04
- Connection size 1/2" (inlet-outlet)
- Shower outlet wall connection dimension 1/2"
- Installation under plaster
- Ideal working pressure 3-4 bar
- To prevent any damage which can be caused by the contaminants inside the fittings, a filter at the entrance of the flat is recommended.

Cartridge Diameter : Ø35  
Surface : Chrome

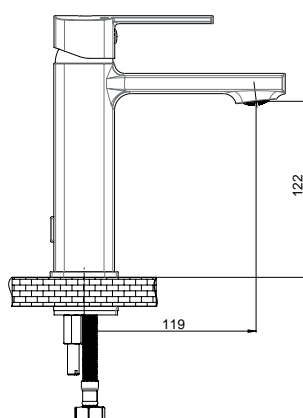
## MBB160 Bathroom Armature



- Cache aerator (Bubble flow, with lime breaker, flow rate: 10,5 lt/min)
- Length of outlet 161 mm
- Armature connection threads are 3/4"
- Eccentric connection threads are 3/4" - 1/2"
- Spiral hose connection thread 1/2"
- Ideal operation pressure 3-4 bar
- To prevent any damage which can be caused by the contaminants inside the fittings, a filter at the entrance of the flat is recommended.

Cartridge Diameter : Ø35  
Surface : Chrome

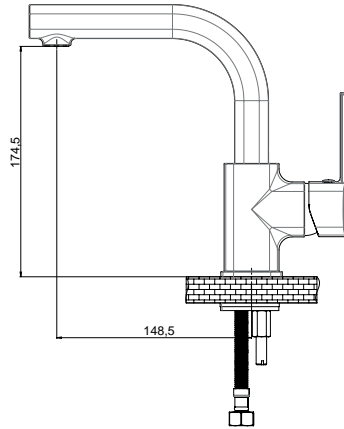
## MLB160 Wash-Basin Armature



- Cache aerator (Bubble flow, with lime breaker, flow rate: 8 lt/min)
- Length of outlet is 119 mm
- Height of outlet is 122 mm
- Measurements of hot and cold water flex hose connection are M10x1 - 3/8" (or 1/2") 50 cm
- Ideal operation pressure 3-4 bar
- To prevent any damage which can be caused by the contaminants inside the fittings, a filtered interval tap is recommended.

Cartridge Diameter : Ø35  
Surface : Chrome

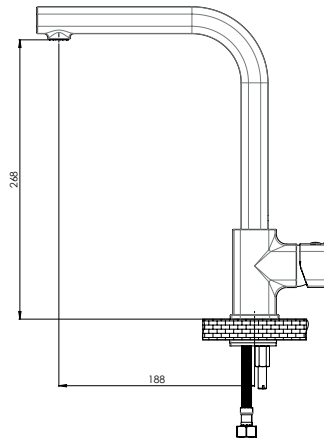
## MTL160 Monoblock Wash-Basin Armature



- Special water saving aerator (Bubble flow, with lime breaker, flow rate: 6 lt/min)
- With swivel spout 360°
- Length of outlet is 148,5 mm
- Height of outlet is 174,5 mm
- Measurements of hot and cold water flex hose connection are M10x1 - 3/8" (or 1/2") 50 cm
- Ideal working pressure 3-4 bar
- To prevent any damage which can be caused by the contaminants inside the fittings, a filtered interval tap is recommended.

Cartridge Diameter : Ø35  
Surface : Chrome

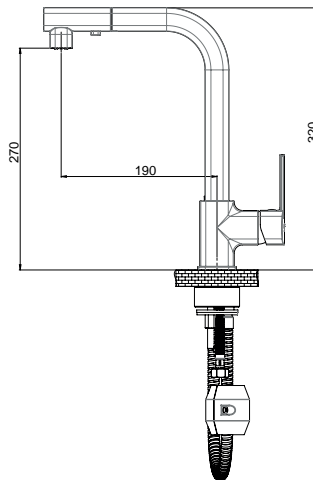
## MTE160 Monoblock Sink Armature



- Special water saving aerator (Bubble flow, with lime breaker, flow rate: 6 lt/min)
- With swivel spout 360°
- Length of outlet is 188 mm
- Height of outlet is 268 mm
- Measurements of hot and cold water flex hose connection are M10x1 - 3/8" (or 1/2") 50 cm
- Ideal operation pressure 3-4 bar
- To prevent any damage which can be caused by the contaminants inside the fittings, a filtered interval tap is recommended.

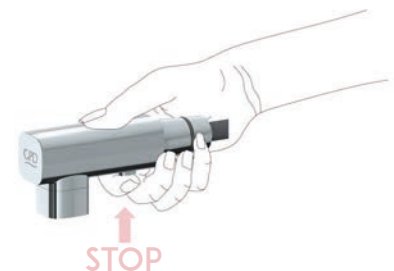
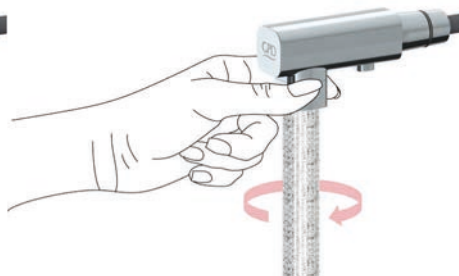
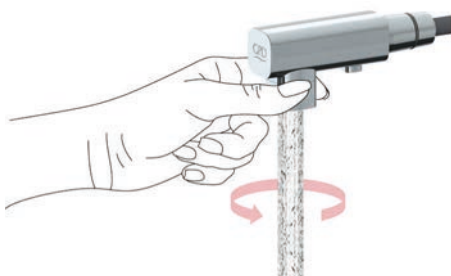
Cartridge Diameter : Ø35  
Surface : Chrome

## MES160 Helical Sink Armature

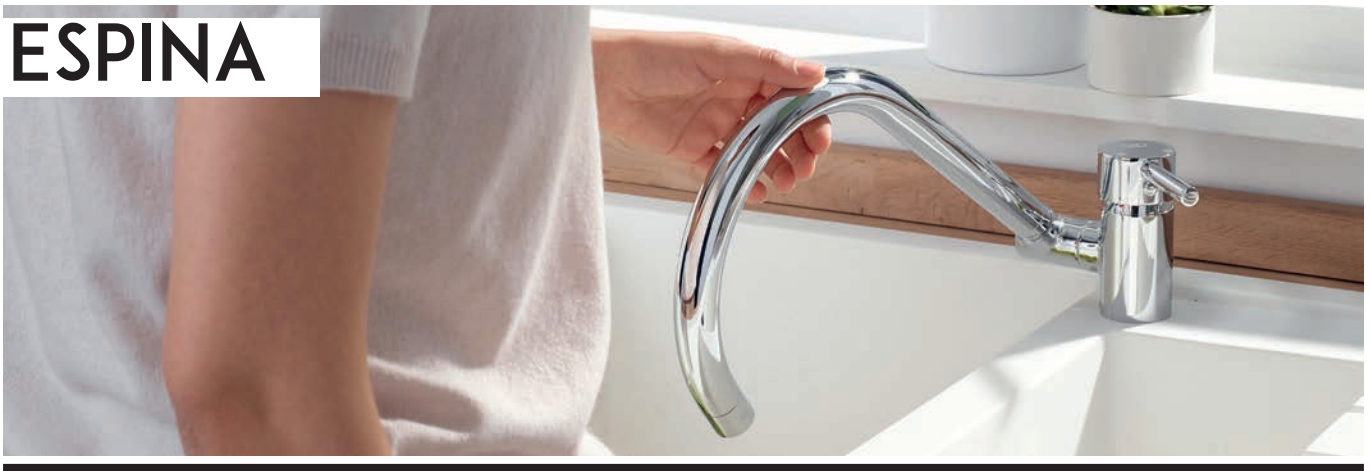


- Special water saving aerator (Bubble flow, with lime breaker, flow rate: 6,5 lt/min)
- With swivel spout 180°
- Removable hand shower with 2 functions
- Hand shower function change with rotating movement by aerator
- Water cut feature when holding the button on the hand shower while the mixer is in the open position
- 150cm flex hose
- Length of outlet is 190 mm
- Height of outlet is 270 mm
- Measurements of hot and cold water flex hose connection are M10x1 - 3/8" (or 1/2") 50 cm
- Ideal operation pressure 3-4 bar
- To prevent any damage which can be caused by the contaminants inside the fittings, a filtered interval tap is recommended.

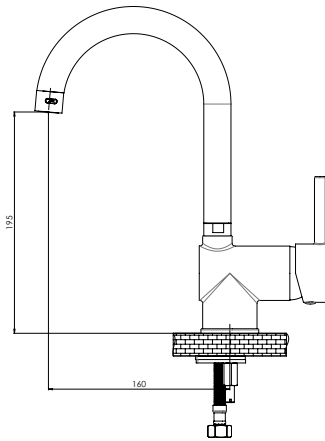
Cartridge Diameter : Ø35  
Surface : Chrome



# ESPINA



## MTL70 Monoblock Wash-Basin Armature

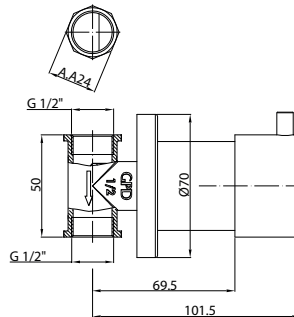


- Special water saving aerator (Bubble flow, with lime breaker) (Flow rate: 8lt/min)
- Special cartridge with heat and flow rate adjustment
- With swivel spout
- Length of outlet is 160 mm
- Height of outlet is 195 mm
- Measurements of hot and cold water flex hose connection are M10x1 - 3/8" (or 1/2")40 cm
- Ideal working pressure 3-4 bar
- To prevent any damage which can be caused by the contaminants inside the fittings, a filtered interval tap is recommended.

Cartridge Diameter : Ø40

Surface : Chrome

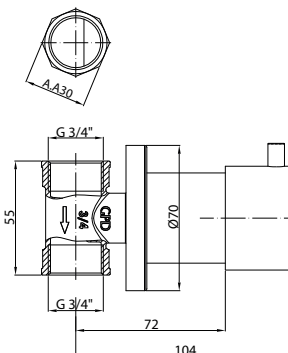
## AAK71-S Embedded Interval Stop Valve 1/2"



- Block under plaster
- 90° ceramic stemmer
- Can be used as interval tap for suspended closets with concealed interval pipes
- Flywheel diameter Ø50 mm
- With plaster protection cover
- Rosette diameter Ø70 mm
- Tap wall connection 1/2"

Surface : Black

## AAK72-S Embedded Interval Stop Valve 3/4"



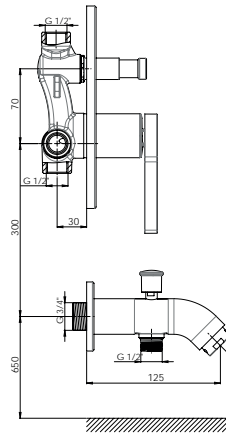
- Block under plaster
- 90° ceramic stemmer
- Can be used as interval tap for suspended closets with concealed interval pipes
- Flywheel diameter Ø50 mm
- With plaster protection cover
- Rosette diameter Ø70 mm
- Tap wall connection 3/4"

Surface : Black

# GILDO



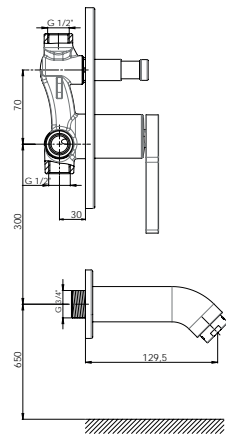
## MTA165 Fully Embedded Bathroom Armature



- Special water saving aerator (Bubble flow, with lime breaker) (Flow rate 16lt/min)
- Special cartridge with heat and flow rate adjustment
- Can be used both with all embedded shower heads and hand shower
- Length of outlet is 125 mm
- Measurements of outlet connection 3/4" (can be converted to 1/2" with special nipple up on request)
- Divertor unit with locking system
- Installation under plaster
- Ideal working pressure 3-4 bar
- To prevent any damage which can be caused by the contaminants inside the fittings, a filter at the entrance of the flat is recommended.

Cartridge Diameter : Ø35  
Surface : Chrome

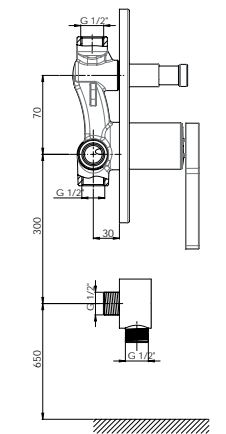
## MAB165 Embedded Bathroom Armature



- Special water saving aerator (Bubble flow, with lime breaker) (Flow rate 16lt/min)
- Special cartridge with heat and flow rate adjustment
- Can be used both with all embedded shower heads and with all hand shower by using GGRO5
- Length of outlet is 129,5 mm
- Measurements of outlet connection 3/4" (can be converted to 1/2" with special nipple up on request)
- Installation under plaster
- Ideal working pressure 3-4 bar
- To prevent any damage which can be caused by the contaminants inside the fittings, a filter at the entrance of the flat is recommended.

Cartridge Diameter : Ø35  
Surface : Chrome

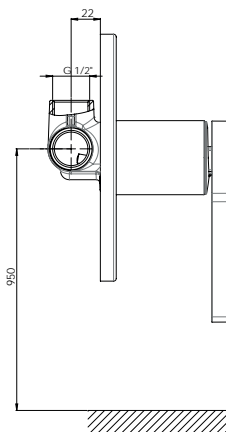
## MKB165 Embedded Cabin Armature



- Special cartridge with heat and flow rate adjustment
- Can be used both with all embedded shower heads and with all hand showers
- Shower outlet length 17,5 mm
- Shower outlet wall connection dimension 1/2"
- Shower outlet spiral hose connection dimension 1/2"
- Installation under plaster
- Ideal working pressure 3-4 bar
- To prevent any damage which can be caused by the contaminants inside the fittings, a filter at the entrance of the flat is recommended.

Cartridge Diameter : Ø35  
Surface : Chrome

## MAD165 Embedded Shower Armature



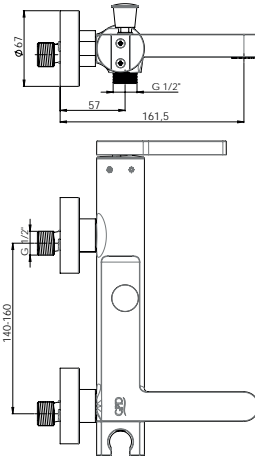
- Special cartridge with heat and flow rate adjustment
- Can be used both with all embedded shower heads and with all hand shower by using GGRO5
- Connection size 1/2" (inlet-outlet)
- Shower outlet wall connection dimension 1/2"
- Installation under plaster
- Ideal working pressure 3-4 bar
- To prevent any damage which can be caused by the contaminants inside the fittings, a filter at the entrance of the flat is recommended.

Cartridge Diameter : Ø35  
Surface : Chrome



## MBB165 Bathroom Armature

- Special aerator (Bubble flow, with lime breaker, flow rate: 14 lt/min)
- Length of outlet 161,5 mm
- Armature connection threads are 3/4"
- Eccentric connection threads are 3/4" - 1/2"
- Spiral hose connection thread 1/2"
- Ideal working pressure 3-4 bar
- To prevent any damage which can be caused by the contaminants inside the fittings, a filter at the entrance of the flat is recommended.



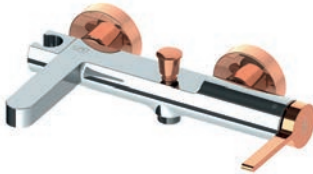
Cartridge Diameter : Ø35  
Surface : Chrome

MBB165-K-R

MBB165-K-S

MBB165-S

MBB165-S-R



Surface : Chrome - Rose Gold (PVD Coating)

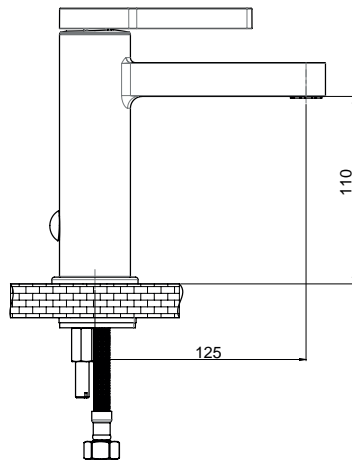
Surface : Chrome - Black

Surface : Black

Surface : Black - Rose Gold (PVD Coating)

## MLB165 Wash-Basin Armature

- Special aerator with water saving (Bubble flow, with lime breaker, flow rate: 6 lt/min)
- Length of outlet is 125 mm
- Height of outlet is 110 mm
- Measurements of hot and cold water flex hose connection are M10x1 - 3/8" (or 1/2") 50 cm
- Ideal working pressure 3-4 bar
- To prevent any damage which can be caused by the contaminants inside the fittings, a filtered interval tap is recommended.



Cartridge Diameter : Ø35  
Surface : Chrome

MLB165-K-R

MLB165-K-S

MLB165-S

MLB165-S-R



Surface : Chrome - Rose Gold (PVD Coating)

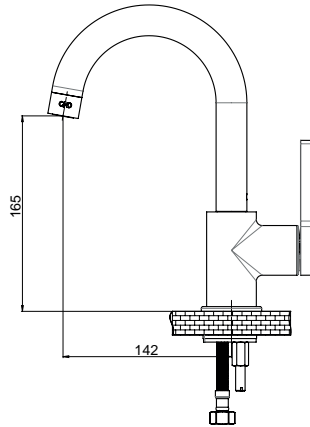
Surface : Chrome - Black

Surface : Black

Surface : Black - Rose Gold (PVD Coating)

# NEW PRODUCTS 2019

## MTL165 Monoblock Wash-Basin Armature



- Special water saving aerator (Bubble flow, with lime breaker, flow rate: 8 lt/min)
- With swivel spout 360°
- Length of outlet is 142 mm
- Height of outlet is 165 mm
- Measurements of hot and cold water flex hose connection are M10x1 - 3/8" (or 1/2") 50 cm
- Ideal working pressure 3-4 bar
- To prevent any damage which can be caused by the contaminants inside the fittings, a filtered interval tap is recommended.

Cartridge Diameter : Ø35  
Surface : Chrome

MTL165-K-R

MTL165-K-S

MTL165-S

MTL165-S-R



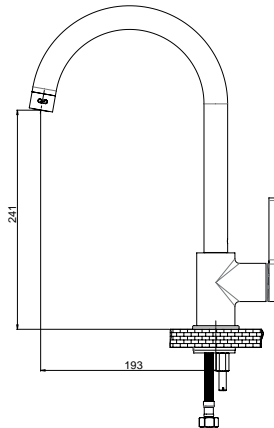
Surface : Chrome - Rose Gold (PVD Coating)

Surface : Chrome - Black

Surface : Black

Surface : Black - Rose Gold (PVD Coating)

## MTE165 Monoblock Sink Armature



- Special water saving aerator (Bubble flow, with lime breaker, flow rate: 8 lt/min)
- With swivel spout 360°
- Length of outlet is 193 mm
- Height of outlet is 241 mm
- Measurements of hot and cold water flex hose connection are M10x1 - 3/8" (or 1/2") 50 cm
- Ideal operation pressure 3-4 bar
- To prevent any damage which can be caused by the contaminants inside the fittings, a filtered interval tap is recommended.

Cartridge Diameter : Ø35  
Surface : Chrome

MTE165-K-R

MTE165-K-S

MTE165-S

MTE165-S-R



Surface : Chrome - Rose Gold (PVD Coating)

Surface : Chrome - Black

Surface : Black

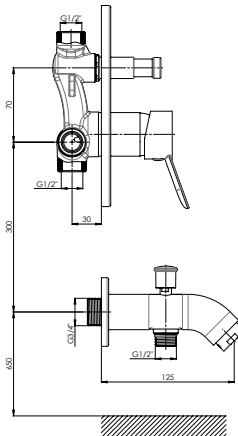
Surface : Black - Rose Gold (PVD Coating)

\*\*Colors in PVD and black coated products may differ slightly from the original due to studio shooting

# IRIS



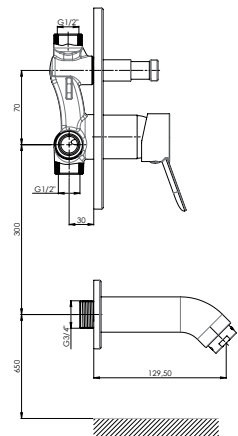
## MTA130 Fully Embedded Bathroom Armature



- Special water saving aerator (Bubble flow, with lime breaker) (Flow rate 16lt/min)
- Special cartridge with heat and flow rate adjustment
- Can be used both with all embedded shower heads and hand shower
- Diverting unit with locking system
- Length of outlet is 125 mm
- Measurements of outlet connection 3/4" (can be converted to 1/2" with special nipple up on request)
- Installation under plaster
- Ideal working pressure 3-4 bar
- To prevent any damage which can be caused by the contaminants inside the fittings, a filter at the entrance of the flat is recommended.

Cartridge Diameter : Ø35  
Surface : Chrome

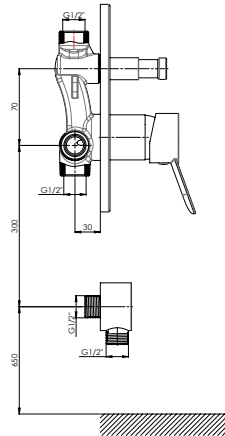
## MAB130 Embedded Bathroom Armature



- Special water saving aerator (Bubble flow, with lime breaker) (Flow rate 16lt/min)
- Special cartridge with heat and flow rate adjustment
- Can be used both with all embedded shower heads and with all hand shower by using GGRO5
- Length of outlet is 129,5 mm
- Measurements of outlet connection 3/4" (can be converted to 1/2" with special nipple up on request)
- Installation under plaster
- Ideal working pressure 3-4 bar
- To prevent any damage which can be caused by the contaminants inside the fittings, a filter at the entrance of the flat is recommended.

Cartridge Diameter : Ø35  
Surface : Chrome

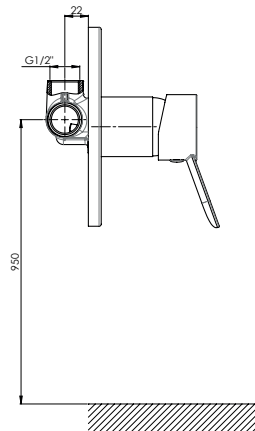
## MKB130 Embedded Cabin Armature



- Special cartridge with heat and flow rate adjustment
- Can be used both with all embedded shower heads and with all hand showers
- Shower outlet length 17,5 mm
- Shower outlet wall connection dimension 1/2"
- Shower outlet spiral hose connection dimension 1/2"
- Installation under plaster
- Ideal working pressure 3-4 bar
- To prevent any damage which can be caused by the contaminants inside the fittings, a filter at the entrance of the flat is recommended.

Cartridge Diameter : Ø35  
Surface : Chrome

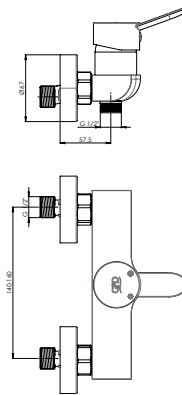
## MAD130 Embedded Shower Armature



- Special cartridge with heat and flow rate adjustment
- Can be used both with all embedded shower heads and with all hand shower by using GGRO5
- Connection size 1/2" (inlet-outlet)
- Shower outlet wall connection dimension 1/2"
- Installation under plaster
- Ideal working pressure 3-4 bar
- To prevent any damage which can be caused by the contaminants inside the fittings, a filter at the entrance of the flat is recommended.

Cartridge Diameter : Ø35  
Surface : Chrome

## MDB130 Shower Armature



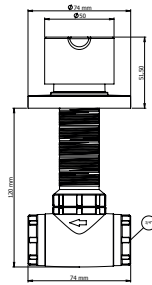
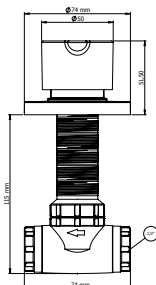
- Special cartridge with heat and flow rate adjustment
- Shower outlet length is 57,5 mm
- Armature connection threads are 3/4"
- Eccentric connection threads are 3/4" - 1/2"
- Spiral hose connection thread 1/2"
- Ideal working pressure 3-4 bar
- To prevent any damage which can be caused by the contaminants inside the fittings, a filter at the entrance of the flat is recommended.

Cartridge Diameter : Ø35  
Surface : Chrome

## AAK130 Embedded Interval Stop Valve (Ø20)    AAK131 Embedded Interval Stop Valve (Ø25)

· Recessed body of 20 mm

· Recessed body of 25 mm



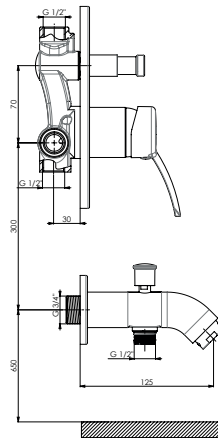
- PP-R body, suitable to connect directly to installation
- 90° ceramic stemmer
- Easy stemmer change (design that can be opened and replaced with standard installation switch)
- Cutable plaster depth adjustment up to 10 cm can be applied to drywall, betopan, brick or aerated concrete walls
- Ability to tolerate installation errors up to 30° with movable rosette
- With plaster protection cover

Surface : Chrome

# PRIMULA



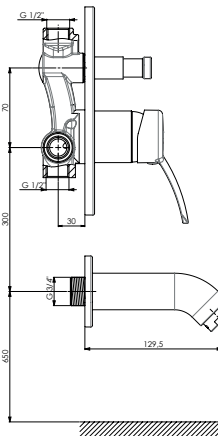
## MTA175 Fully Embedded Bathroom Armature



- Special water saving aerator (Bubble flow, with lime breaker) (Flow rate 16lt/min)
- Special cartridge with heat and flow rate adjustment
- Can be used both with all embedded shower heads and hand shower
- Diverting unit with locking system
- Length of outlet is 125 mm
- Measurements of outlet connection 3/4" (can be converted to 1/2" with special nipple up on request)
- Installation under plaster
- Ideal working pressure 3-4 bar
- To prevent any damage which can be caused by the contaminants inside the fittings, a filter at the entrance of the flat is recommended.

Cartridge Diameter : Ø40  
Surface : Chrome

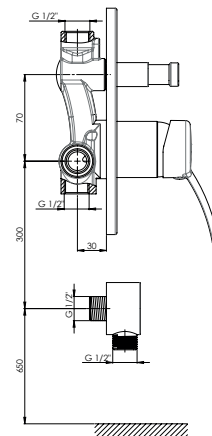
## MAB175 Embedded Bathroom Armature



- Special water saving aerator (Bubble flow, with lime breaker) (Flow rate 16lt/min)
- Special cartridge with heat and flow rate adjustment
- Can be used both with all embedded shower heads and with all hand shower by using GGR05
- Length of outlet is 129,5 mm
- Measurements of outlet connection 3/4" (can be converted to 1/2" with special nipple up on request)
- Installation under plaster
- Ideal working pressure 3-4 bar
- To prevent any damage which can be caused by the contaminants inside the fittings, a filter at the entrance of the flat is recommended.

Cartridge Diameter : Ø40  
Surface : Chrome

## MKB175 Embedded Cabin Armature

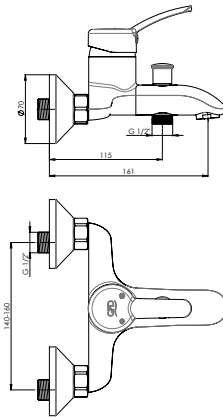


- Special cartridge with heat and flow rate adjustment
- Can be used both with all embedded shower heads and with all hand showers
- Shower outlet length 17,5 mm
- Shower outlet wall connection dimension 1/2"
- Shower outlet spiral hose connection dimension 1/2"
- Installation under plaster
- Ideal working pressure 3-4 bar
- To prevent any damage which can be caused by the contaminants inside the fittings, a filter at the entrance of the flat is recommended.

Cartridge Diameter : Ø40  
Surface : Chrome

# NEW PRODUCTS 2019

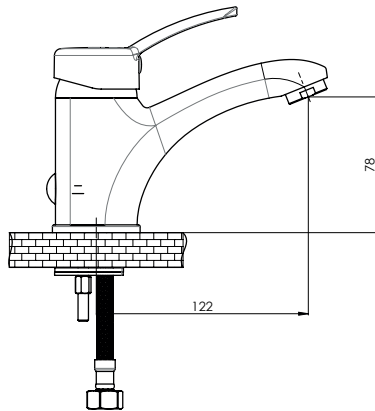
## MBB175 Bathroom Armature



- Special aerator (Bubble flow, with lime breaker, flow rate: 1.6 lt/min)
- Length of outlet 161 mm
- Armature connection threads are 3/4"
- Eccentric connection threads are 3/4" - 1/2"
- Spiral hose connection thread 1/2"
- Ideal operation pressure 3-4 bar
- To prevent any damage which can be caused by the contaminants inside the fittings, a filter at the entrance of the flat is recommended.

Cartridge Diameter : Ø40  
Surface : Chrome

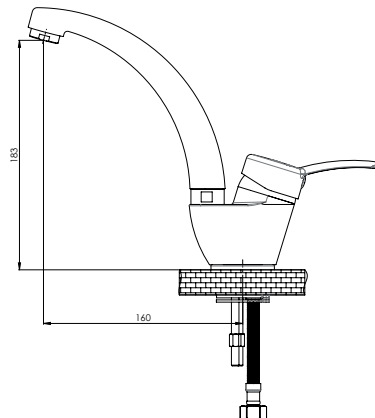
## MLB175 Wash-Basin Armature



- Special water saving aerator (Bubble flow, with lime breaker, flow rate: 8 lt/min)
- Length of outlet is 122 mm
- Height of outlet is 78 mm
- Measurements of hot and cold water flex hose connection are M10x1 - 3/8" (or 1/2") 40 cm
- Ideal working pressure 3-4 bar
- To prevent any damage which can be caused by the contaminants inside the fittings, a filtered interval tap is recommended.

Cartridge Diameter : Ø40  
Surface : Chrome

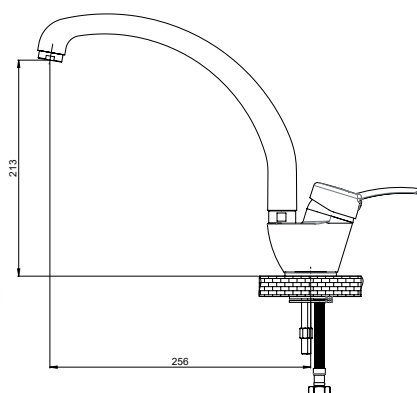
## MTL175 Monoblock Wash-Basin Armature



- Special water saving aerator (Bubble flow, with lime breaker, flow rate: 8 lt/min)
- With swivel spout
- Length of outlet is 160 mm
- Height of outlet is 183 mm
- Measurements of hot and cold water flex hose connection are M10x1 - 3/8" (or 1/2") 40 cm
- Ideal working pressure 3-4 bar
- To prevent any damage which can be caused by the contaminants inside the fittings, a filtered interval tap is recommended.

Cartridge Diameter : Ø40  
Surface : Chrome

## MTE175 Monoblock Sink Armature



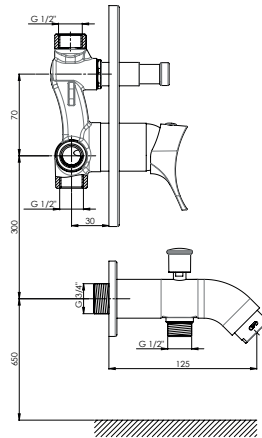
- Special water saving aerator (Bubble flow, with lime breaker, flow rate: 8 lt/min)
- With swivel spout 360°
- Length of outlet is 256 mm
- Height of outlet is 213 mm
- Measurements of hot and cold water flex hose connection are M10x1 - 3/8" (or 1/2") 40 cm
- Ideal working pressure 3-4 bar
- To prevent any damage which can be caused by the contaminants inside the fittings, a filtered interval tap is recommended.

Cartridge Diameter : Ø40  
Surface : Chrome

# FLORUS



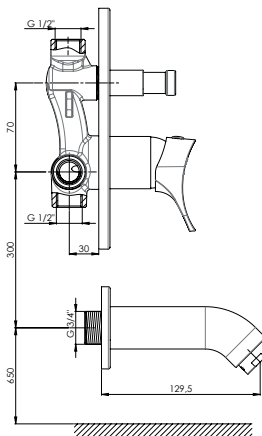
## MTA170 Fully Embedded Bathroom Armature



- Special water saving aerator (Bubble flow, with lime breaker) (Flow rate 16lt/min)
- Special cartridge with heat and flow rate adjustment
- Can be used both with all embedded shower heads and hand shower
- Length of outlet is 125 mm
- Measurements of outlet connection 3/4" (can be converted to 1/2" with special nipple up on request)
- Diverting unit with locking system
- Installation under plaster
- Ideal working pressure 3-4 bar
- To prevent any damage which can be caused by the contaminants inside the fittings, a filter at the entrance of the flat is recommended.

Cartridge Diameter : Ø35  
Surface : Chrome

## MAB170 Embedded Bathroom Armature

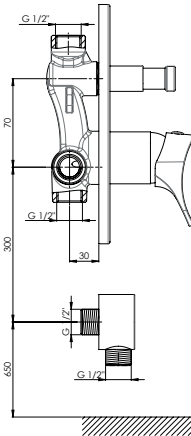


- Special water saving aerator (Bubble flow, with lime breaker) (Flow rate 16lt/min)
- Special cartridge with heat and flow rate adjustment
- Can be used both with all embedded shower heads and with all hand shower by using GGRO5
- Length of outlet is 129,5 mm
- Measurements of outlet connection 3/4" (can be converted to 1/2" with special nipple up on request)
- Installation under plaster
- Ideal working pressure 3-4 bar
- To prevent any damage which can be caused by the contaminants inside the fittings, a filter at the entrance of the flat is recommended.

Cartridge Diameter : Ø35  
Surface : Chrome

# NEW PRODUCTS 2019

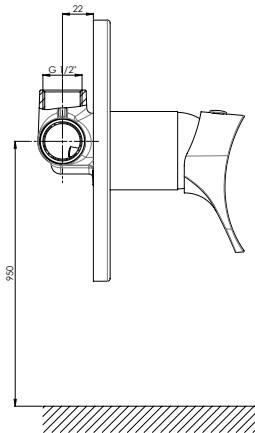
## MKB170 Embedded Cabin Armature



- Special cartridge with heat and flow rate adjustment
- Can be used both with all embedded shower heads and with all hand showers
- Shower outlet length 17,5 mm
- Shower outlet wall connection dimension 1/2"
- Shower outlet spiral hose connection dimension 1/2"
- Installation under plaster
- Ideal working pressure 3-4 bar
- To prevent any damage which can be caused by the contaminants inside the fittings, a filter at the entrance of the flat is recommended.

Cartridge Diameter : Ø35  
Surface : Chrome

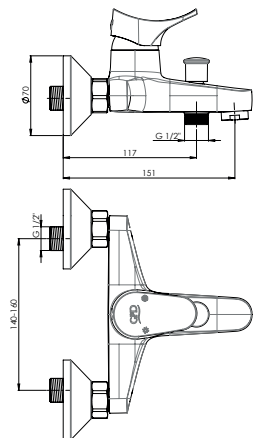
## MAD170 Embedded Shower Armature



- Special cartridge with heat and flow rate adjustment
- Can be used both with all embedded shower heads and with all hand shower by using GGRO5
- Connection size 1/2" (inlet-outlet)
- Shower outlet wall connection dimension 1/2"
- Installation under plaster
- Ideal working pressure 3-4 bar
- To prevent any damage which can be caused by the contaminants inside the fittings, a filter at the entrance of the flat is recommended.

Cartridge Diameter : Ø35  
Surface : Chrome

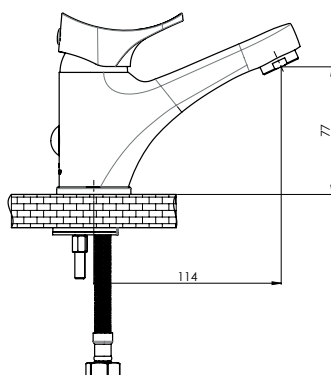
## MBB170 Bathroom Armature



- Special aerator (Bubble flow, with lime breaker, flow rate: 16 lt/min)
- Length of outlet 151 mm
- Armature connection threads are 3/4"
- Eccentric connection threads are 3/4" - 1/2"
- Spiral hose connection thread 1/2"
- Ideal working pressure 3-4 bar
- To prevent any damage which can be caused by the contaminants inside the fittings, a filter at the entrance of the flat is recommended.

Cartridge Diameter : Ø35  
Surface : Chrome

## MLB170 Wash-Basin Armature

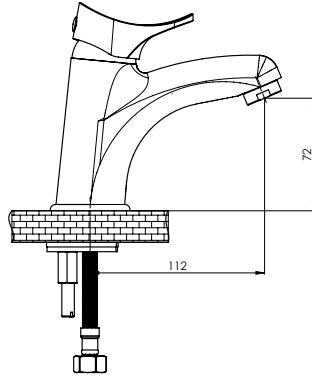


- Special water saving aerator (Bubble flow, with lime breaker, flow rate: 8 lt/min)
- Length of outlet is 114 mm
- Height of outlet is 77 mm
- Measurements of hot and cold water flex hose connection are M10x1 - 3/8" (or 1/2") 40 cm
- Ideal working pressure 3-4 bar
- To prevent any damage which can be caused by the contaminants inside the fittings, a filtered interval tap is recommended.

Cartridge Diameter : Ø35  
Surface : Chrome



## MLT170 Wash-Basin Armature(Single Entrance)

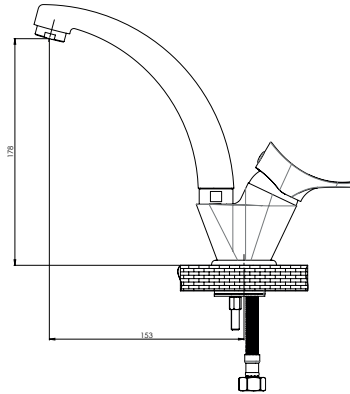


- Special water saving aerator (Bubble flow, with lime breaker, flow rate: 8 lt/min)
- Special cartridge for single entry
- Length of outlet is 112 mm
- Height of outlet is 72 mm
- Measurements of hot and cold water flex hose connection are M10x1 - 3/8" (or 1/2") 40 cm
- Ideal working pressure 3-4 bar
- To prevent any damage which can be caused by the contaminants inside the fittings, a filtered interval tap is recommended.

Cartridge Diameter : Ø35

Surface : Chrome

## MTL170 Monoblock Wash-Basin Armature

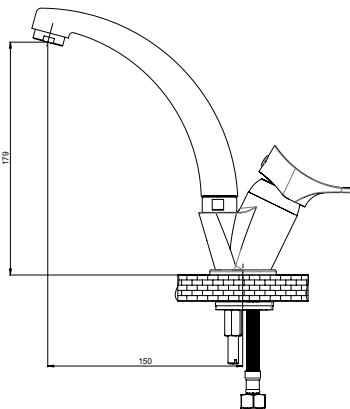


- Special water saving aerator (Bubble flow, with lime breaker, flow rate: 8 lt/min)
- With swivel spout
- Length of outlet is 153 mm
- Height of outlet is 178 mm
- Measurements of hot and cold water flex hose connection are M10x1 - 3/8" (or 1/2") 40 cm
- Ideal working pressure 3-4 bar
- To prevent any damage which can be caused by the contaminants inside the fittings, a filtered interval tap is recommended.

Cartridge Diameter : Ø35

Surface : Chrome

## MTT170 Monoblock Wash-Basin Armature(Single Entrance)

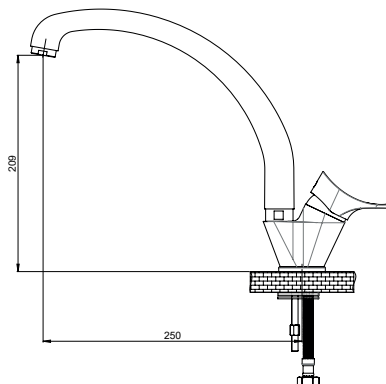


- Special water saving aerator (Bubble flow, with lime breaker, flow rate: 8 lt/min)
- Special cartridge for single entry
- Length of outlet is 150 mm
- Height of outlet is 179 mm
- Measurements of hot and cold water flex hose connection are M10x1 - 3/8" (or 1/2") 40 cm
- Ideal working pressure 3-4 bar
- To prevent any damage which can be caused by the contaminants inside the fittings, a filtered interval tap is recommended.

Cartridge Diameter : Ø35

Surface : Chrome

## MTE170 Monoblock Sink Armature



- Special water saving aerator (Bubble flow, with lime breaker, flow rate: 8 lt/min)
- With swivel spout
- Length of outlet is 250 mm
- Height of outlet is 209 mm
- Measurements of hot and cold water flex hose connection are M10x1 - 3/8" (or 1/2") 40 cm
- Ideal working pressure 3-4 bar
- To prevent any damage which can be caused by the contaminants inside the fittings, a filtered interval tap is recommended.

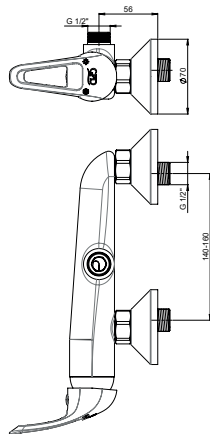
Cartridge Diameter : Ø35

Surface : Chrome

# ADRIO



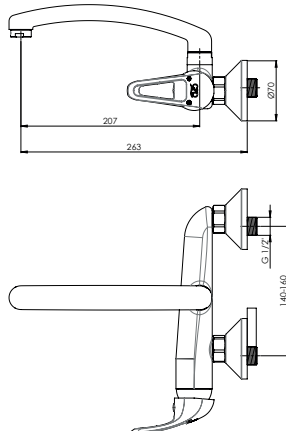
## MDU120 Shower Armature (Spout From Up)



- Overhead spiral flex hose output
- On the side of the control lever
- Shower outlet length 56 mm
- Armature connection threads are 3/4"
- Eccentric connection threads are 3/4" - 1/2"
- Spiral hose connection thread 1/2"
- Ideal working pressure 3-4 bar
- To prevent any damage which can be caused by the contaminants inside the fittings, a filter at the entrance of the flat is recommended.

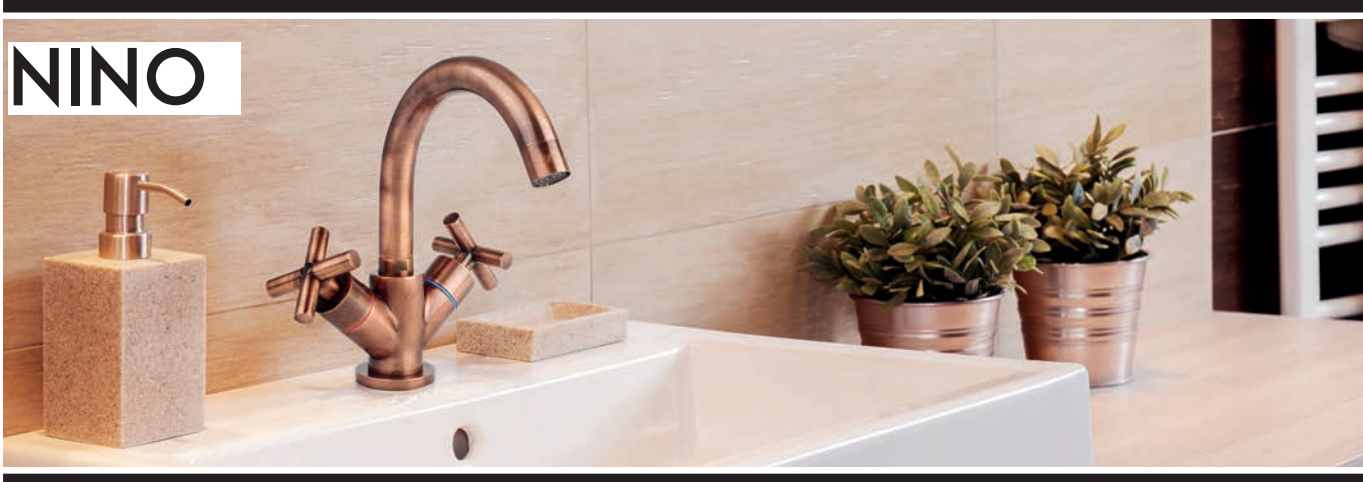
Cartridge Diameter : Ø35  
Surface : Chrome

## MAU120 Applique Sink Armature (Spout From Up)



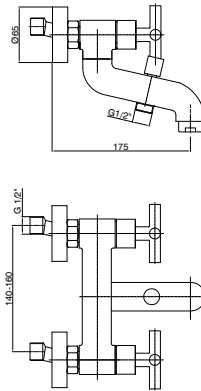
- Special aerator with water saving (Bubble flow, with lime breaker, flow rate: 8lt/min)
- Overhead spiral pipe output
- On the side of the control lever
- Length of outlet 263 mm
- Armature connection threads are 3/4"
- Eccentric connection threads are 3/4" - 1/2"
- Ideal working pressure 3-4 bar
- To prevent any damage which can be caused by the contaminants inside the fittings, a filter at the entrance of the flat is recommended.

Cartridge Diameter : Ø35  
Surface : Chrome



## NINO

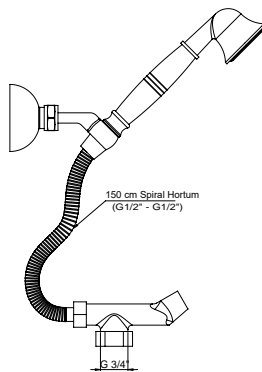
### BNB05-B Bathroom Armature



- Special water saving aerator (Bubble flow, with lime breaker) (Flow rate 16lt/min)
- 90° ceramic stemmer with turning on/off angle
- Diverting unit with locking system
- Length of outlet is 175 mm
- Armature connection threads are 3/4"
- Eccentric connection threads are 3/4"-1/2"
- Ideal working pressure 3-4 bar
- To prevent any damage which can be caused by the contaminants inside the fittings, a filter at the entrance of the flat is recommended.

Surface : Copper

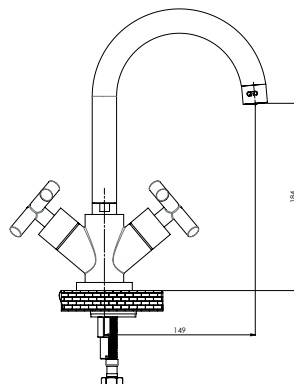
### SPS05-B Spiral Set



- Adjustable jointed hang shower hanger
- Hanger of armature connection is included
- Brass spiral hose 150 cm (with hand shower)
- Special surface plating in form of copper

Surface : Copper

### DLB05-B Swivel Spout Wash-Basin Armature

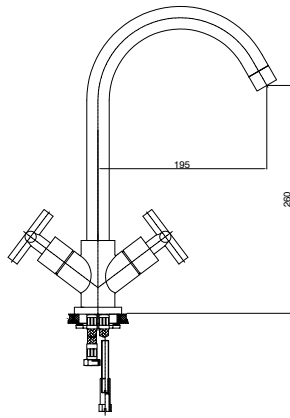


- Special water saving aerator (Bubble flow, with lime breaker) (Flow rate 8lt/min)
- 90° ceramic stemmer with turning on/off angle
- With swivel spout
- Length of outlet is 149 mm
- Height of outlet is 184 mm
- Installation under plaster
- Ideal working pressure 3-4 bar
- To prevent any damage which can be caused by the contaminants inside the fittings, a filter at the entrance of the flat is recommended.

Surface : Copper

# NEW PRODUCTS 2019

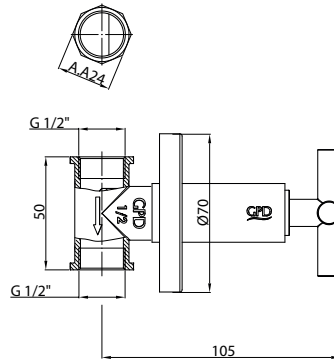
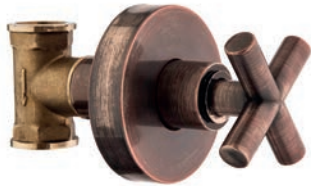
## UEB05-B Swivel Sink Armature with U Spout



- Special water saving aerator (Bubble flow, with lime breaker) (Flow rate 8lt/min)
- 90° ceramic stemmer with turning on/off angle
- With swivel spout
- Length of outlet is 195 mm
- Height of outlet is 260 mm
- Measurements of Hot & Cold water flex hose connection are M10x1-3/8" (or 1/2") 40cm
- Ideal working pressure 3-4 bar
- To prevent any damage which can be caused by the contaminants inside the fittings, a filtered interval tap at the entrance of the flat is recommended.

Surface : Copper

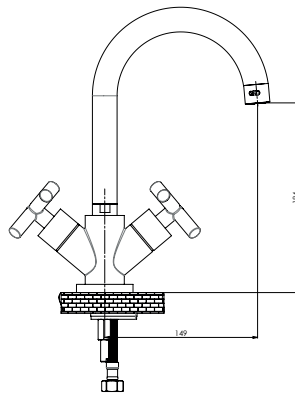
## AAK05-B Embedded Stop Valve



- 90° ceramic stemmer with turning on/off angle
- Rosette diameter Ø70 mm
- Tap wall connection size 1/2"
- It can be used as interval tap on suspended closets with concealed interval pipes

Surface : Copper

## DLB05 Swivel Spout Wash-Basin Armature



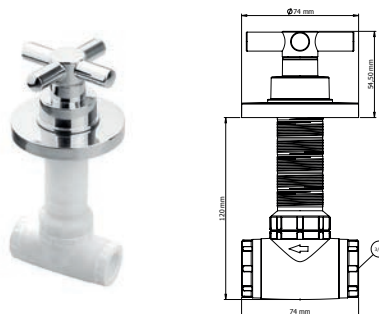
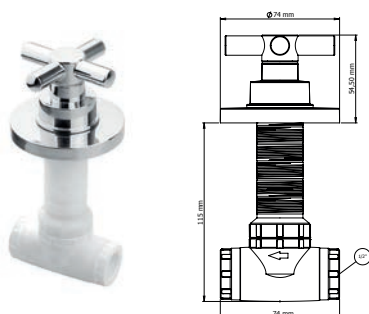
- Special water saving aerator (Bubble flow, with lime breaker) (Flow rate 8lt/min)
- 90° ceramic stemmer with turning on/off angle
- With swivel spout
- Length of outlet is 149 mm
- Height of outlet is 184 mm
- Ideal working pressure 3-4 bar
- To prevent any damage which can be caused by the contaminants inside the fittings, a filter at the entrance of the flat is recommended.

Surface : Chrome

## AAK06 Embedded Interval Stop Valve (Ø20)    AAK07 Embedded Interval Stop Valve (Ø25)

· Recessed body of 20 mm

· Recessed body of 25 mm



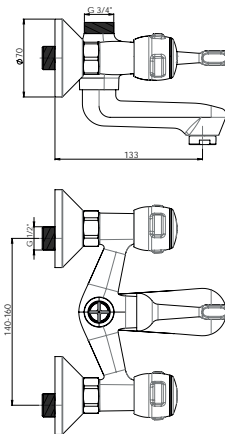
- PP-R body, suitable to connect directly to installation
- 90° ceramic stemmer
- Easy stemmer change (design that can be opened and replaced with standard installation switch)
- Cuttable plaster depth adjustment up to 10 cm can be applied to drywall, betopan, brick or aerated concrete walls
- Ability to tolerate installation errors up to 30° with movable rosette
- With plaster protection cover

Surface : Chrome

# RIOS



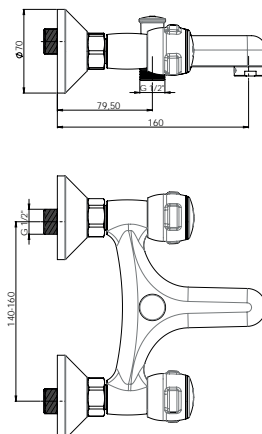
## BNB30 Bathroom Armature



- Special water saving aerator (Bubble flow, with lime breaker) (Flow rate 16lt/min)
- 90° ceramic stemmer with turning on/off angle
- Length of outlet is 133 mm
- Armature connection threads are 3/4"
- Eccentric connection threads are 3/4"-1/2"
- Ideal working pressure 3-4 bar
- To prevent any damage which can be caused by the contaminants inside the fittings, a filter at the entrance of the flat is recommended.

Surface : Chrome

## MNB30 Monoblock Bathroom Armature

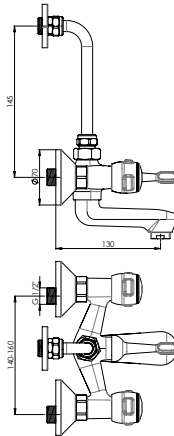


- Special water saving aerator (Bubble flow, with lime breaker) (Flow rate 16lt/min)
- 90° ceramic stemmer with turning on/off angle
- Diverting unit with minimal design
- Length of outlet is 160 mm
- Armature connection threads are 3/4"
- Eccentric connection threads are 3/4"-1/2"
- Ideal working pressure 3-4 bar
- To prevent any damage which can be caused by the contaminants inside the fittings, a filter at the entrance of the flat is recommended.

Surface : Chrome

# NEW PRODUCTS 2019

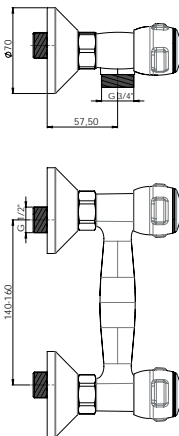
## ABB30 Semi Embedded Bathroom Armature



- Special water saving aerator (Bubble flow, with lime breaker) (Flow rate 16lt/min)
- Ceramic packing with 90° opening/closing angle
- Semi embedded connection spout group unit
- Length of outlet is 130 mm
- Armature connection threads are 3/4"
- Eccentric connection threads are 3/4"-1/2"
- Ideal working pressure 3-4 bar
- To prevent any damage which can be caused by the contaminants inside the fittings, a filter at the entrance of the flat is recommended.

Surface : Chrome

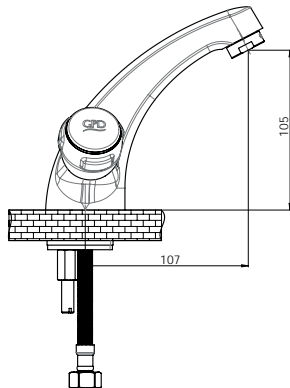
## DSB30 Shower Armature



- 90° ceramic stemmer with turning on/off angle
- Shower outlet length is 57,5 mm
- Armature connection threads are 3/4"
- Eccentric connection threads are 3/4"-1/2"
- Ideal working pressure 3-4 bar
- To prevent any damage which can be caused by the contaminants inside the fittings, a filter at the entrance of the flat is recommended.

Surface : Chrome

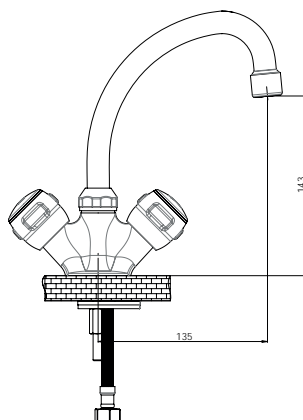
## TKB30 Monoblock Eagle Wash-Basin Armature



- Special aerator with water saving (Bubble flow, with lime breaker, flow rate: 8lt/dk)
- 90° ceramic stemmer with turning on/off angle
- Length of outlet is 107 mm
- Height of outlet is 105 mm
- Measurements of Hot&Cold water flex hose connection are M10x1-3/8" (or 1/2") 40 cm
- Ideal working pressure 3-4 bar
- To prevent any damage which can be caused by the contaminants inside the fittings, a filtered interval tap at the entrance of the flat is recommended.

Surface : Chrome

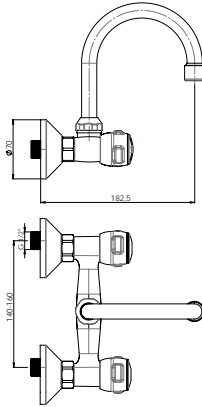
## KLB30 Monoblock Swan Wash-Basin Armature



- Special aerator (Bubble flow, with lime breaker)
- 90° ceramic stemmer with turning on/off angle
- With swivel spout
- Length of outlet is 135 mm
- Height of outlet is 143 mm
- Measurements of Hot&Cold water flex hose connection are M10x1-3/8" (or 1/2") 40 cm
- Ideal working pressure 3-4 bar
- To prevent any damage which can be caused by the contaminants inside the fittings, a filtered interval tap at the entrance of the flat is recommended.

Surface : Chrome

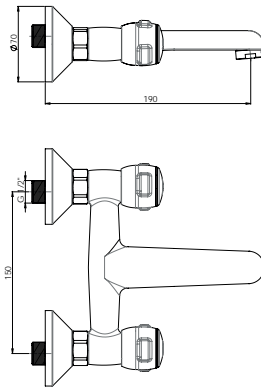
## DLB30 Swivel Spout Wash-Basin Armature



- Special aerator (Bubble flow, with lime breaker)
- 90° ceramic stemmer with turning on/off angle
- With swivel spout
- Length of outlet is 182,5 mm
- Armature connection threads are 3/4"
- Eccentric connection threads are 3/4"-1/2"
- Ideal working pressure 3-4 bar
- To prevent any damage which can be caused by the contaminants inside the fittings, a filter at the entrance of the flat is recommended.

Surface : Chrome

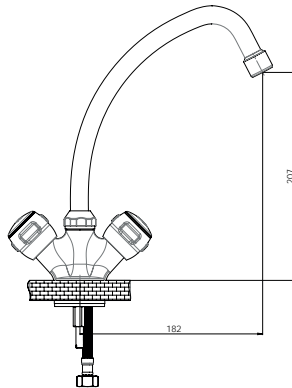
## MNL30 Monoblock Wash-Basin Armature



- Special water saving aerator (Bubble flow, with lime breaker) (Flow rate: 8lt/min)
- 90° ceramic stemmer with turning on/off angle
- Length of outlet is 190 mm
- Armature connection threads are 3/4"
- Eccentric connection threads are 3/4"-1/2"
- Ideal working pressure 3-4 bar
- To prevent any damage which can be caused by the contaminants inside the fittings, a filter at the entrance of the flat is recommended.

Surface : Chrome

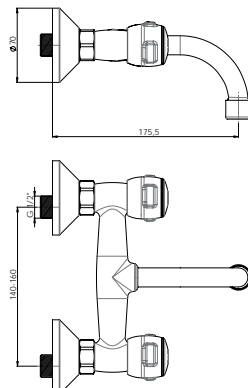
## KEB30 Monoblock Swan Sink Armature



- Special aerator (Bubble flow, with lime breaker)
- 90° ceramic stemmer with turning on/off angle
- With swivel spout
- Length of outlet is 182 mm
- Height of outlet is 207 mm
- Measurements of Hot&Cold water flex hose connection are M10x1-3/8" (or 1/2") 40 cm
- Ideal working pressure 3-4 bar
- To prevent any damage which can be caused by the contaminants inside the fittings, a filtered interval tap at the entrance of the flat is recommended.

Surface : Chrome

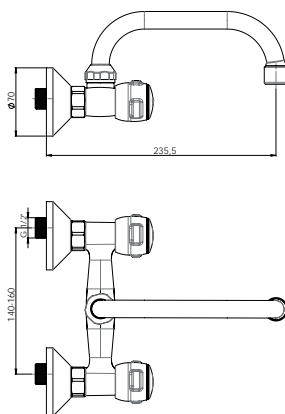
## SEB30 Permanent Sink/Wash-Basin Armature



- Special water saving aerator (Bubble flow, with lime breaker)
- 90° ceramic stemmer with turning on/off angle
- With permanent spout
- Length of outlet is 175,5 mm
- Armature connection threads are 3/4"
- Eccentric connection threads are 3/4"-1/2"
- Ideal working pressure 3-4 bar
- To prevent any damage which can be caused by the contaminants inside the fittings, a filter at the entrance of the flat is recommended.

Surface : Chrome

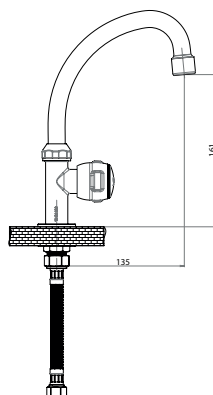
## DEB30 Swivel Spout Sink Armature



- Special aerator (Bubble flow, with lime breaker)
- 90° ceramic stemmer with turning on/off angle
- With swivel spout
- Length of outlet is 235,5 mm
- Armature connection threads are 3/4"
- Eccentric connection threads are 3/4"-1/2"
- Ideal working pressure 3-4 bar
- To prevent any damage which can be caused by the contaminants inside the fittings, a filter at the entrance of the flat is recommended.

Surface : Chrome

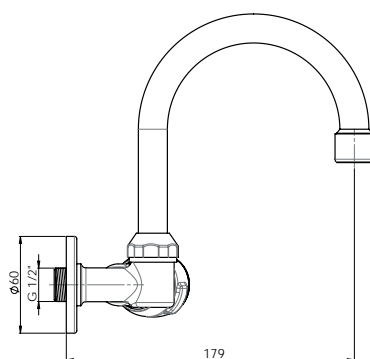
## DLM30 Swivel Spout Wash-Basin Tap



- Special aerator (Bubble flow, with lime breaker)
- 90° ceramic stemmer with turning on/off angle
- With swivel spout
- Length of outlet is 135 mm
- Height of outlet is 161 mm
- Measurements of single inlet flex hose connection are M10x1-3/8" (or 1/2") 40 cm
- Ideal working pressure 3-4 bar
- To prevent any damage which can be caused by the contaminants inside the fittings, a filtered interval tap at the entrance of the flat is recommended.

Surface : Chrome

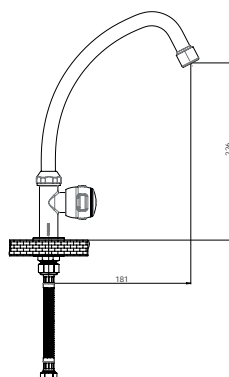
## ALM30 Applique Wash-Basin Tap



- Special aerator (Bubble flow, with lime breaker)
- 90° ceramic stemmer with turning on/off angle
- With swivel spout
- Length of outlet is 179 mm
- Rosette diameter Ø60 mm
- Tap-wall connection dimension is 1/2"
- Ideal working pressure 3-4 bar
- To prevent any damage which can be caused by the contaminants inside the fittings, a filter at the entrance of the flat is recommended.

Surface : Chrome

## DEM30 Swivel Spout Sink Tap

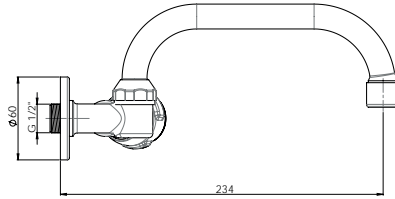


- Special aerator (Bubble flow, with lime breaker)
- 90° ceramic stemmer with turning on/off angle
- With swivel spout
- Length of outlet is 181 mm
- Height of outlet is 226 mm
- Measurements of single inlet flex hose connection are M10x1-3/8" (or 1/2") 40 cm
- Ideal working pressure 3-4 bar
- To prevent any damage which can be caused by the contaminants inside the fittings, a filtered interval tap at the entrance of the flat is recommended.

Surface : Chrome



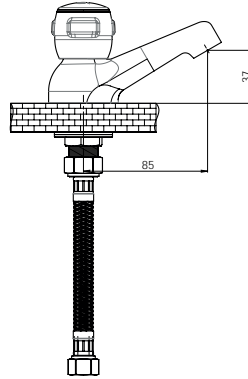
### AEM30 Applique Wash-Basin Tap



- Special aerator (Bubble flow, with lime breaker)
- 90° ceramic stemmer with turning on/off angle
- With swivel spout
- Length of outlet is 234 mm
- Rosette diameter Ø60 mm
- Tap-wall connection dimension is 1/2"
- Ideal working pressure 3-4 bar
- To prevent any damage which can be caused by the contaminants inside the fittings, a filter at the entrance of the flat is recommended.

Surface : Chrome

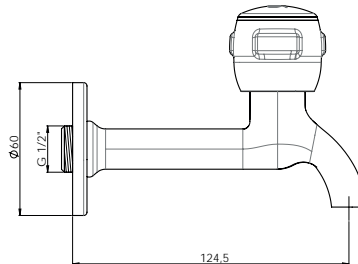
### LMS30 Wash-Basin Tap



- 90° ceramic stemmer with turning on/off angle
- With swivel spout
- Length of outlet is 85 mm
- Height of outlet is 37 mm
- Measurements of single inlet flex hose connection are M10x1-3/8" (or 1/2") 40 cm
- Ideal working pressure 3-4 bar
- To prevent any damage which can be caused by the contaminants inside the fittings, a filtered interval tap at the entrance of the flat is recommended.

Surface : Chrome

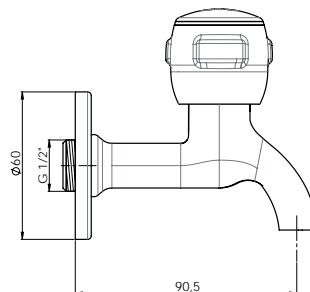
### UMS30 Long Tap



- 90° ceramic stemmer with turning on/off angle
- Length of outlet is 124,5 mm
- Rosette diameter Ø60 mm
- Tap-wall connection dimension is 1/2"
- Ideal working pressure 3-4 bar
- To prevent any damage which can be caused by the contaminants inside the fittings, a filter at the entrance of the flat is recommended.

Surface : Chrome

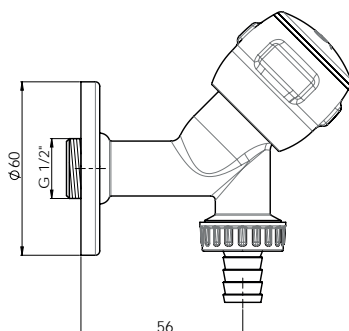
### KMS30 Short Tap



- 90° ceramic stemmer with turning on/off angle
- Length of outlet is 90,5 mm
- Rosette diameter Ø60 mm
- Tap-wall connection dimension is 1/2"
- Ideal working pressure 3-4 bar
- To prevent any damage which can be caused by the contaminants inside the fittings, a filter at the entrance of the flat is recommended.

Surface : Chrome

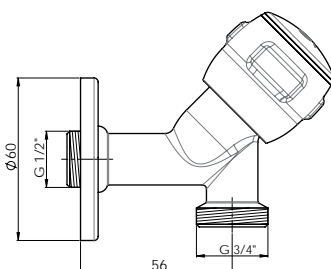
## CMS30 Laundry Tap



- 90° ceramic stemmer with turning on/off angle
- Length of outlet is 56 mm
- Rosette diameter Ø60 mm
- Tap-wall connection dimension is 1/2"
- Ideal working pressure 3-4 bar
- To prevent any damage which can be caused by the contaminants inside the fittings, a filter at the entrance of the flat is recommended.

Surface : Chrome

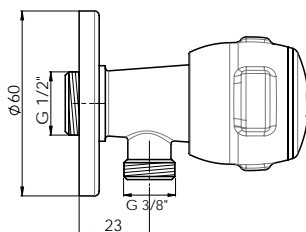
## CMS30-2 Laundry Tap (Without Union)



- 90° ceramic stemmer with turning on/off angle
- Length of outlet is 56 mm
- Rosette diameter Ø60 mm
- Tap-wall connection dimension is 1/2"
- Ideal working pressure 3-4 bar
- To prevent any damage which can be caused by the contaminants inside the fittings, a filter at the entrance of the flat is recommended.

Surface : Chrome

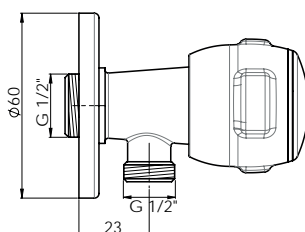
## TMS30 Interval Tap



- 90° ceramic stemmer with turning on/off angle
- Rosette diameter Ø60 mm
- Tap-wall connection dimension is 3/8"
- Ideal working pressure 3-4 bar
- To prevent any damage which can be caused by the contaminants inside the fittings, a filter at the entrance of the flat is recommended.

Surface : Chrome

## TMS30-2 Interval Tap



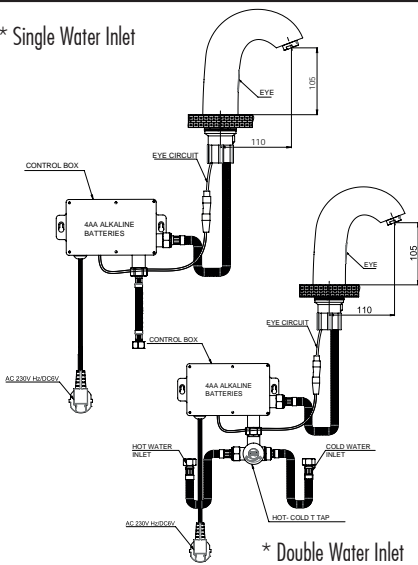
- 90° ceramic stemmer with turning on/off angle
- Rosette diameter Ø60 mm
- Tap-wall connection dimension is 1/2"
- Ideal working pressure 3-4 bar
- To prevent any damage which can be caused by the contaminants inside the fittings, a filter at the entrance of the flat is recommended.

Surface : Chrome

## PHOTOCELL



\* Single Water Inlet



**FLB10**  
Wash-Basin Armature  
(Double Water Inlet)



Surface : Chrome

**FLB10-2**  
Wash-Basin Armature  
(Single Water Inlet)

- Special aerator with water saving (Bubble flow, with lime breaker) (Flow rate: 8lt/min)
- Length of outlet 110 mm · Height of outlet is 105 mm
- It is controlled with micro computer. It is adjusted to stop the water by itself after one minute in order to prevent wasting of water
- Adjustable sensor distance is 12-18 cm
- AC and DC support, when ac is the switched off dc automatically switches on (AC 230V hz/DC 6V) (4AA alkaline batteries)
- Possibility of both the hot water and cold water usage due to 1 tap for the double water product
- Water temperature is 0,1-60 °C
- Ideal working pressure 3-4 bar
- To prevent any damage which can be caused by the contaminants inside the fittings, a filtered interval tap at the entrance of the flat is recommended.

**FLB10-A**

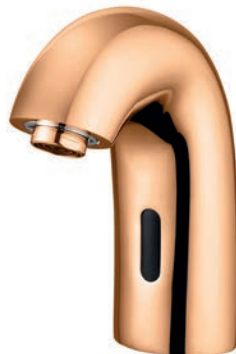
**FLB10-A-2**

**FLB10-R**

**FLB10-R-2**

**FLB10-S**

**FLB10-S-2**

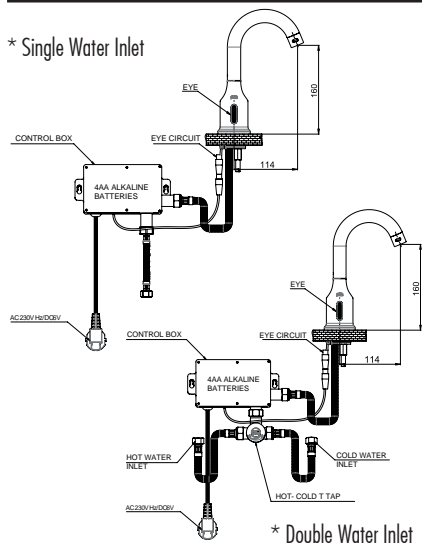


34 Surface : Gold (PVD Coating)

Surface : Rose Gold (PVD Coating)

Surface : Black

# NEW PRODUCTS 2019



## FLB11 Wash-Basin Armature (Double Water Inlet)



Surface : Chrome

## FLB11-2 Wash-Basin Armature (Single Water Inlet)

- Special aerator with water saving (Bubble flow, with lime breaker) (Flow rate: 8lt/min)
- Length of outlet 114 mm · Height of outlet is 160 mm
- It is controlled with micro computer. It is adjusted to stop the water by itself after one minute in order to prevent wasting of water
- Adjustable sensor distance is 12-18 cm
- AC and DC support, when ac is the switched off dc automatically switches on (AC 230V hz/DC 6V) (4AA alkaline batteries)
- Possibility of both the hot water and cold water usage due to t tap for the double water product
- Water temperature is 0,1-60 °C
- Ideal working pressure 3-4 bar
- To prevent any damage which can be caused by the contaminants inside the fittings, a filtered interval tap at the entrance of the flat is recommended.

### FLB11-A

### FLB11-A-2



Surface : Gold (PVD Coating)

### FLB11-R

### FLB11-R-2



Surface : Rose Gold (PVD Coating)

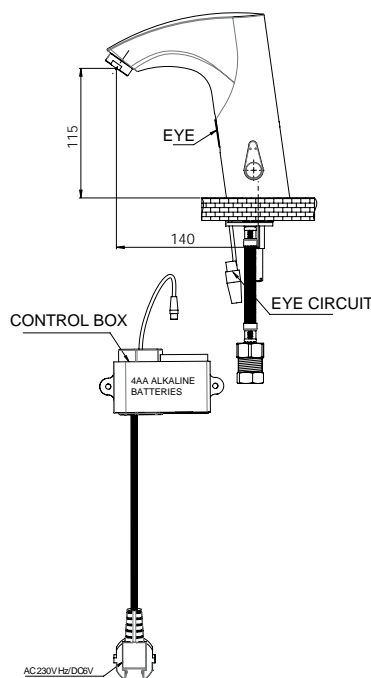
### FLB11-S

### FLB11-S-2



Surface : Black

## FLB12 Wash-Basin Armature

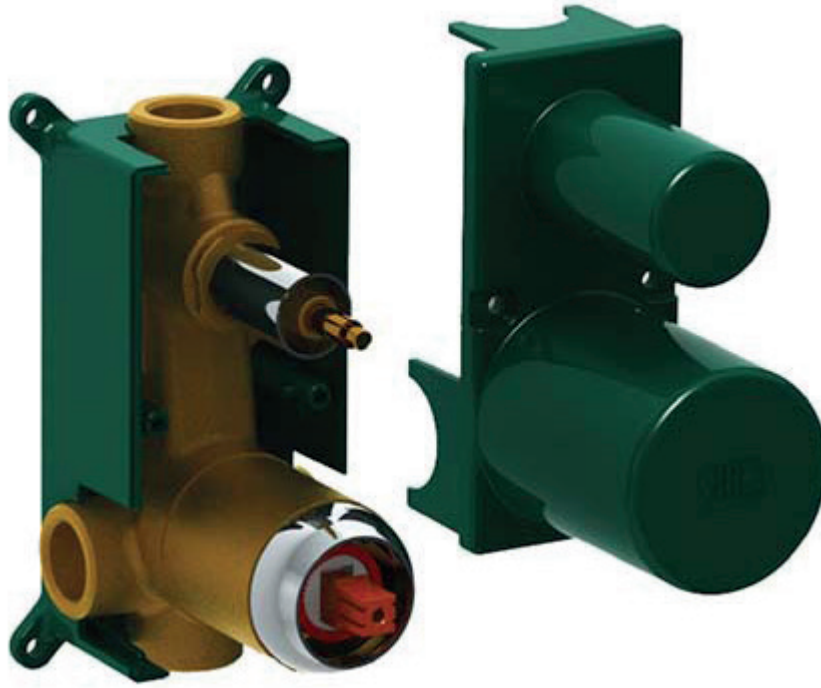


- Special aerator with water saving (Bubble flow, with lime breaker) (Flow rate: 8lt/min)
- Length of outlet 140 mm
- Height of outlet is 115 mm
- It is controlled with micro computer. It is adjusted to stop the water by itself after one minute in order to prevent wasting of water
- Adjustable sensor distance is 12-18 cm
- AC and DC support, when ac is the switched off dc automatically switches on (AC 230V hz/DC 6V) (4AA alkaline batteries)
- Battery life 2 years (4000usage/month)
- Possibility of both the hot water and cold water usage due to manuel heat control on the block body
- Ideal working pressure 3-4 bar
- To prevent any damage which can be caused by the contaminants inside the fittings, a filtered interval tap at the entrance of the flat is recommended.

Surface : Chrome

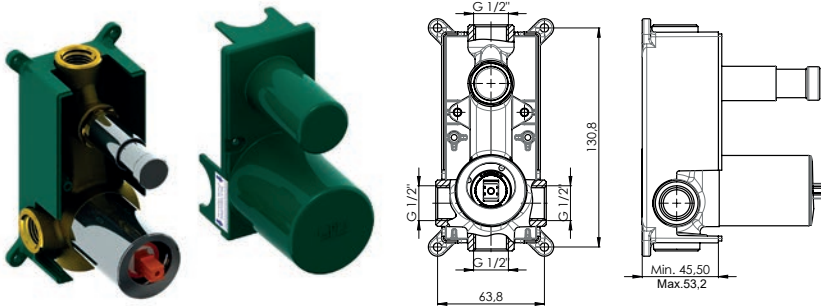
\*\*Colors in PVD and black coated products may differ slightly from the original due to studio shooting

# NEW EMBEDDED BATHROOM & SHOWER ARMATURES



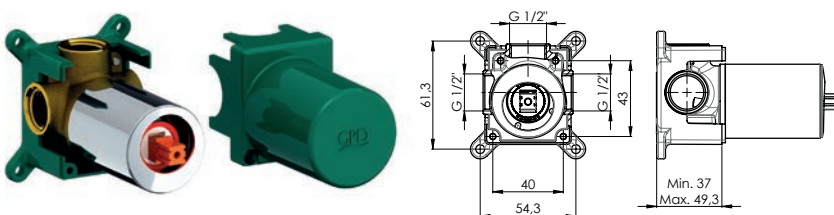
## SAG12 Ø35 Embedded Bathroom Armature Recessed Housing Group

- Special cartridge with heat and flow rate adjustment
- Recessed body with plastic safety cover
- Plumbing connection size 1/2"
- Can be used **SUG165**
- Can be used **GILDO** series related codes



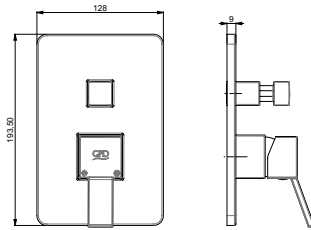
## SAG11 Ø35 Embedded Shower Armature Recessed Housing Group

- Special cartridge with heat and flow rate adjustment
- Recessed body with plastic safety cover
- Plumbing connection size 1/2"
- Can be used **SUD165**
- Can be used **GILDO** series related codes



# NEW PRODUCTS 2019

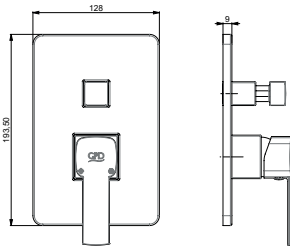
## SUG135 Tulio Embedded Bathroom Over Plaster Group



- Ø35 mm
- Rectangle rosette and square diverter handhold
- Square cartridge cover
- Rosette width is 128 mm
- Rosette length is 193,5 mm
- Rosette height is 9 mm
- With Tulio handle
- Sub diverter group shown in picture is not included

Surface : Chrome

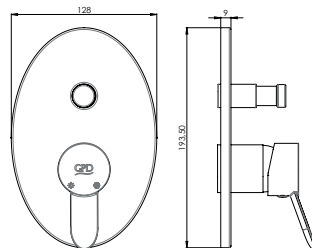
## SUG160 Pedra Embedded Bathroom Over Plaster Group



- Ø35 mm
- Rectangle rosette and square diverter handhold
- Square cartridge cover
- Rosette width is 128 mm
- Rosette length is 193,5 mm
- Rosette height is 9 mm
- With Pedra handle
- Sub diverter group shown in picture is not included

Surface : Chrome

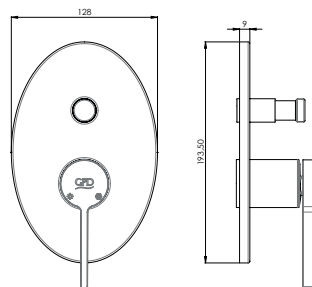
## SUG130 Iris Embedded Bathroom Over Plaster Group



- Ø35 mm
- Oval rosette
- Rosette width is 128 mm
- Rosette length is 193,5 mm
- Rosette height is 9 mm
- With Iris handle
- Divertor group shown in picture is not included

Surface : Chrome

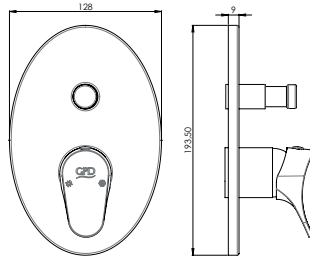
## SUG165 Gildo Embedded Bathroom Over Plaster Group



- Ø35 mm
- Oval rosette
- Rosette width is 128 mm
- Rosette length is 193,5 mm
- Rosette height is 9 mm
- With Gildo handle
- Divertor group shown in picture is not included

Surface : Chrome

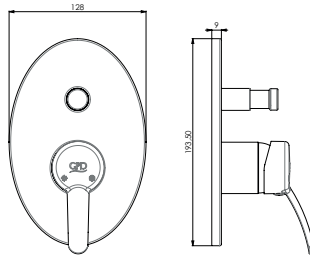
## SUG170 Florus Embedded Bathroom Over Plaster Group



- Ø35 mm
- Oval rosette
- Rosette width is 128 mm
- Rosette length is 193,5 mm
- Rosette height is 9 mm
- With Florus handle
- Divertor group shown is picture is not included

Surface : Chrome

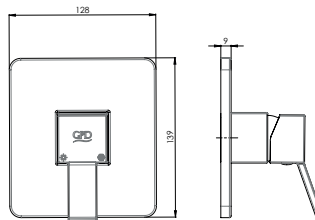
## SUG175 Primula Embedded Bathroom Over Plaster Group



- Ø40 mm
- Oval rosette
- Rosette width is 128 mm
- Rosette length is 193,5 mm
- Rosette height is 9 mm
- With Primula handle
- Divertor group shown is picture is not included

Surface : Chrome

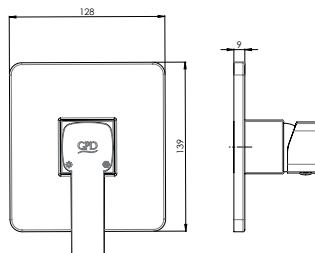
## SUD135 Tulio Embedded Over Plaster Shower Group



- Ø35 mm
- Square rosette
- Rosette width is 128 mm
- Rosette length is 139 mm
- Rosette height is 9 mm
- With Tulio handle

Surface : Chrome

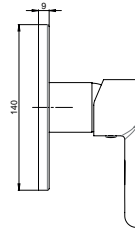
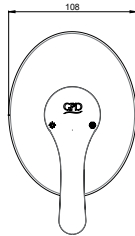
## SUD160 Pedra Embedded Over Plaster Shower Group



- Ø35 mm
- Square rosette
- Rosette width is 128 mm
- Rosette length is 139 mm
- Rosette height is 9 mm
- With Pedra handle

Surface : Chrome

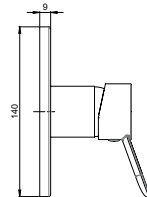
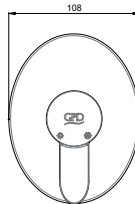
## SUD75 Felis Embedded Over Plaster Shower Group



- Ø35 mm
- Oval rosette
- Rosette width is 108 mm
- Rosette length is 140 mm
- Rosette height is 9 mm
- With Felis handle

Surface : Chrome

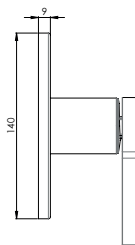
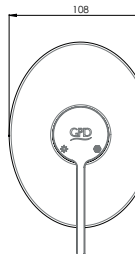
## SUD130 Iris Embedded Over Plaster Shower Group



- Ø35 mm
- Oval rosette
- Rosette width is 108 mm
- Rosette length is 140 mm
- Rosette height is 9 mm
- With Iris handle

Surface : Chrome

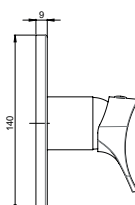
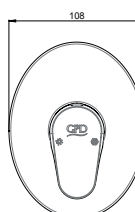
## SUD165 Gildo Embedded Over Plaster Shower Group



- Ø35 mm
- Oval rosette
- Rosette width is 108 mm
- Rosette length is 140 mm
- Rosette height is 9 mm
- With Gildo handle

Surface : Chrome

## SUD170 Florus Embedded Over Plaster Shower Group



- Ø35 mm
- Oval rosette
- Rosette width is 108 mm
- Rosette length is 140 mm
- Rosette height is 9 mm
- With Florus handle

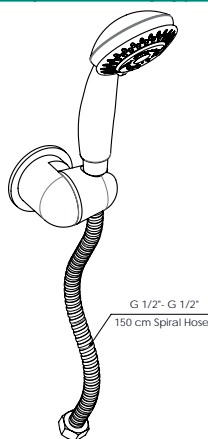
Surface : Chrome



# SHOWER SETS



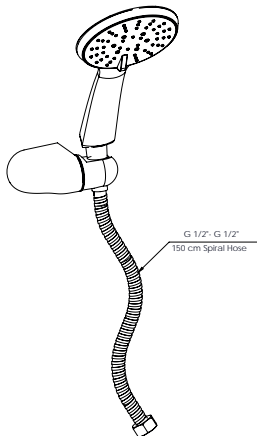
DST50 Suspended Shower Set (5 Func.) (Ø85)



- 5 Functions
- With lime breaker
- Massage effect
- 150 cm spiral hose (1/2"-1/2") (360° tangle free system)
- With 1/2" - 3/4" adaptor

Surface : Chrome

DST51 Suspended Shower Set (5 Func.) (Ø110)

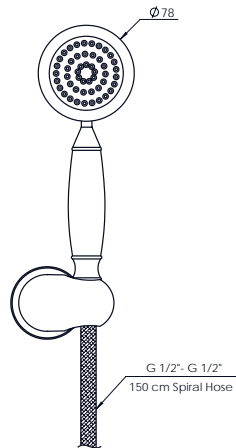


- 5 Functions
- With lime breaker
- Massage effect
- 150 cm spiral hose (1/2"-1/2") (360° tangle free system)
- With 1/2" - 3/4" adaptor

Surface : Chrome

# NEW PRODUCTS 2019

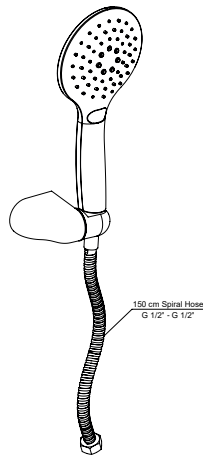
## DST29-O Suspended Shower Set (Single Func.) (Ø78)



- Special classic hand shower single function
- 150 cm spiral hose (1/2"-1/2")
- With 1/2" - 3/4" adaptor
- Special coating with copper effect retro style

Surface : ORB Coating

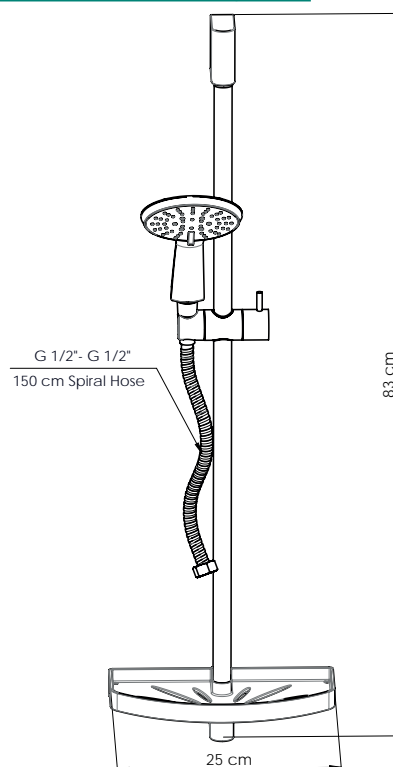
## DST56-S Suspended Shower Set (3 Func.) (Ø125)



- 3 Function
- 150 cm spiral hose (1/2"-1/2")
- With lime breaker
- Massage effect
- Hand shower function switch is provided by push button

Surface : Black

## DST52 Sliding Shower Set (5 Func.) (Ø110)



- 5 Functions
- With lime breaker
- Massage effect
- Sliding (Bolt length: 83 cm)
- 150 cm spiral hose (1/2"-1/2") (360° tangle free system)
- Wide console design assuming both console and hanger (Console size: 25x13 cm)
- With 1/2" - 3/4" adaptor

Surface : Chrome

## DST57-S Sliding Shower Set (3 Func.) (Ø125)



- 3 Function
- 150 cm spiral hose (1/2"-1/2")
- With lime breaker
- Massage effect
- Hand shower function switch is provided by push button
- Sliding bolt length 65,5cm

Surface : Black

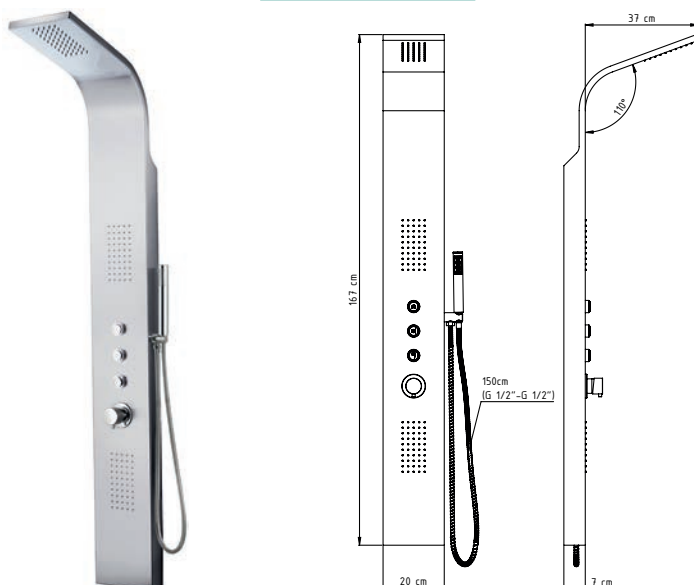
## DST27-O Shower Set



- Special classic hand shower single function
- Embedded shower head with rain flow (ø206)
- Height adjustable set with sliding
- 150 cm spiral hose
- With bath mixer
- Space saving with 180° movable outlet
- Diverting unit to embedded shower head or to the hand shower head with 1/2" - 3/4" adaptor
- Special coating with copper effect retro style

Surface : ORB Coating

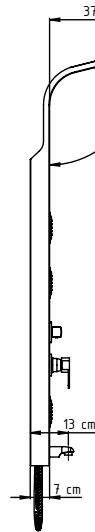
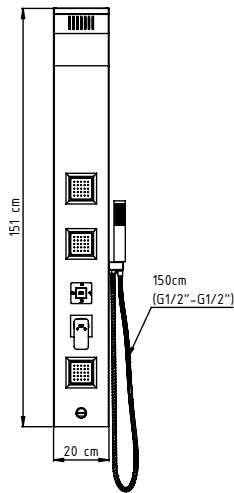
## DSP08 Shower Panel



- Plating in form of inox (anti finger print)
- Stainless steel
- Dimensions: 167x20x7 cm
- 2 pcs 5x10 built-in water jet with silicone lime crusher
- 150 cm spiral hose (1/2" - 1/2")
- Single function hand shower (massage effect, with lime breaker)
- Direction to overhead shower, water jets and hand shower (single or multi button operation)
- Ideal working pressure 3-4 bar
- To prevent any damage which can be caused by the contaminants inside the fittings, a filter at the entrance of the flat is recommended.

Surface : Inox

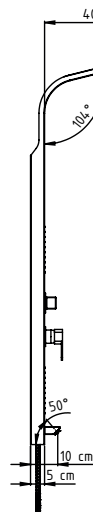
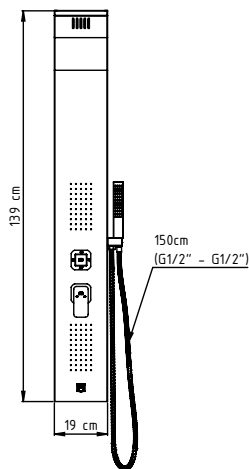
## DSP09 Shower Panel



- Plating in form of matte black
- Aluminium
- Dimensions: 151x20x7 cm
- 3 pcs 5x5 built-in water jet silicone lime crusher
- 150 cm spiral hose (1/2" - 1/2")
- Single function hand shower (massage effect, with lime breaker)
- Divertor unit to overhead shower, water jets and hand shower
- Ideal working pressure 3-4 bar
- To prevent any damage which can be caused by the contaminants inside the fittings, a filter at the entrance of the flat is recommended.

Surface : Aluminium + Black

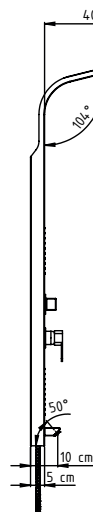
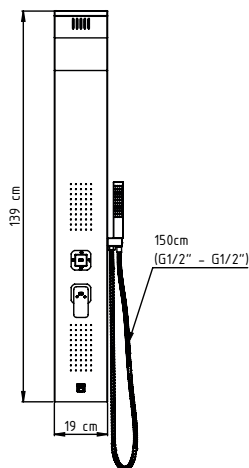
## DSP10 Shower Panel



- Plating in form of Rose Gold (PVD)
- Stainless steel
- Dimensions: 139x19x5 cm
- 2 pcs 5x10 built-in water jet with silicone lime crusher
- Brass outlet
- 150 cm spiral hose (1/2" - 1/2")
- Single function hand shower (massage effect, with lime breaker, brass material)
- Divertor unit to overhead shower, water jets and hand shower
- Ideal working pressure 3-4 bar
- To prevent any damage which can be caused by the contaminants inside the fittings, a filter at the entrance of the flat is recommended.

Surface : Rose Gold(PVD Coating)

## DSP11 Shower Panel



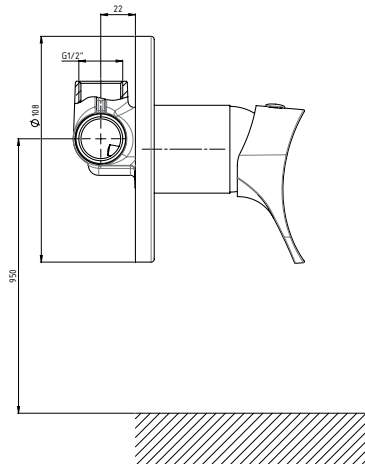
- Plating in form of Gold (PVD)
- Stainless steel
- Dimensions: 139x19x5 cm
- 2 pcs 5x10 built-in water jet with silicone lime crusher
- Brass outlet
- 150 cm spiral hose (1/2" - 1/2")
- Single function hand shower (massage effect, with lime breaker, brass material)
- Divertor unit to overhead shower, water jets and hand shower
- Ideal working pressure 3-4 bar
- To prevent any damage which can be caused by the contaminants inside the fittings, a filter at the entrance of the flat is recommended.

Surface : Gold(PVD Coating)

# SUPPLEMENTRY PRODUCTS



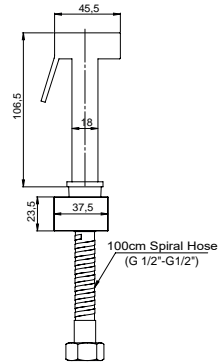
ATB170 Florus Embedded Toilet Bowl Armature



- Special cartridge with heat and flow adjustment
- In hot and cold water inlet preferred systems
- It can be used in combination with shower outlet bracket (products with DCD code) or spray outlet (STS code products) with GGR04-GGR05 outlet end in toilet bowls without any water outlet pipe system
- Connection size 1/2" (internal thread)
- Installation is recessed.
- Ideal working pressure 3-4 bar
- To prevent any damage which can be caused by the contaminants inside the fittings, a filter at the entrance of the flat is recommended.

Cartridge Diameter : Ø35  
Surface : Chrome

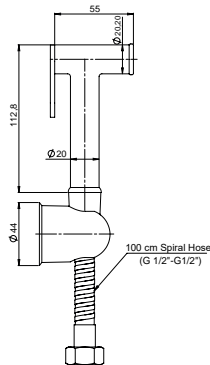
## STS03-A Spray Bidet Set (Brass Square Shape, Without Reduction)



- Brass handshower and hanger
- Stainless steel spiral hose 100 cm
- Water outlet can be obtained from hand shower by adapting it on the systems that do not have interval tap

Surface : Gold(PVD Coating)

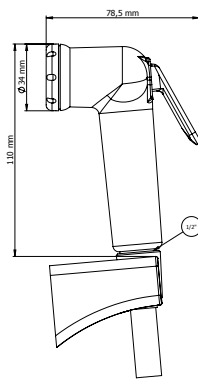
## STS04-A Spray Bidet Set (Brass Round Shape, Without Reduction)



- Brass handshower and hanger
- Stainless steel spiral hose 100 cm
- Water outlet can be obtained from hand shower by adapting it on the systems that do not have interval tap

Surface : Gold(PVD Coating)

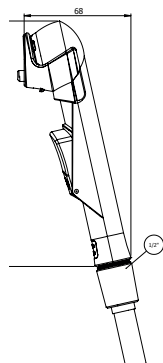
## STS05 Spray Bidet Set



- 360° rotating hose structure
- Spiral hose 120 cm (1/2" - 1/2")
- Can be converted to 1/2" or 3/8" (with reduction)
- Continuous flow capability when the latch is pushed counterclockwise
- Slow and fast flow

Surface : Chrome

## STS06 Spray Bidet Set



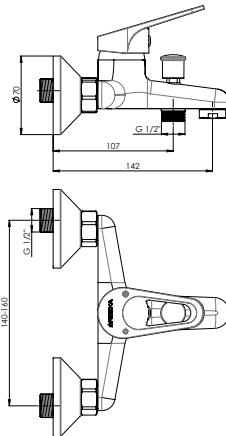
- 360° rotating hose structure
- Spiral hose 120 cm (1/2" - 1/2")
- Can be converted to 1/2" or 3/8" (with reduction)
- Non-drip thanks to check valve feature
- Continuous flow capability when the latch is pushed counterclockwise
- Slow and fast flow
- Ergonomic hand shower design with palm control

Surface : Chrome

# ORBIS



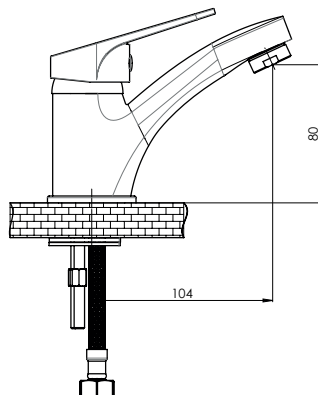
## BB30 Bathroom Armature



- Special aerator (Bubble flow, with lime breaker, flow rate: 1.6lt/min)
- Length of outlet 142 mm
- Armature connection threads are 3/4"
- Eccentric connection threads are 3/4" - 1/2"
- Spiral hose connection thread 1/2"
- Ideal working pressure 3-4 bar
- To prevent any damage which can be caused by the contaminants inside the fittings, a filter at the entrance of the flat is recommended.

Cartridge Diameter : Ø35  
Surface : Chrome

## LB30 Wash-Basin Armature

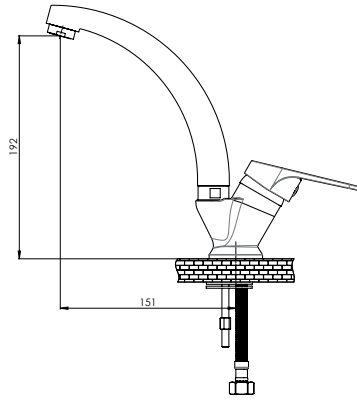


- Special aerator (Bubble flow, with lime breaker, flow rate: 8lt/min)
- Length of outlet is 104 mm
- Height of outlet is 80 mm
- Measurements of hot and cold water flex hose connection are M10x1 - 3/8" (or 1/2") 40 cm
- Ideal working pressure 3-4 bar
- To prevent any damage which can be caused by the contaminants inside the fittings, a filtered interval tap is recommended.

Cartridge Diameter : Ø35  
Surface : Chrome

# NEW PRODUCTS 2019

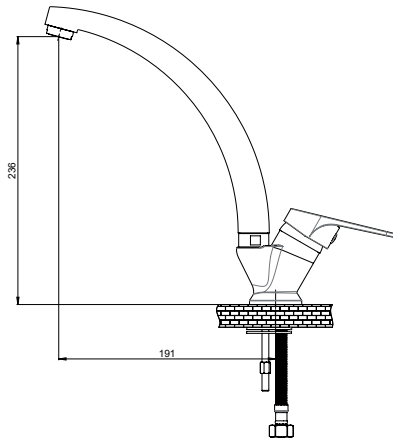
## TL30 Monoblock Wash-Basin Armature



- Special aerator (Bubble flow, with lime breaker, flow rate:8lt/min)
- With swivel spout
- Length of outlet is 151 mm
- Height of outlet is 192 mm
- Measurements of hot and cold water flex hose connection are M10x1 - 3/8" (or 1/2") 40 cm
- Ideal working pressure 3-4 bar
- To prevent any damage which can be caused by the contaminants inside the fittings, a filtered interval tap is recommended.

Cartridge Diameter : Ø35  
Surface : Chrome

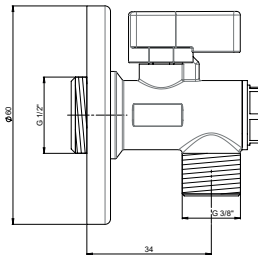
## TE30 Monoblock Sink Armature



- Special aerator (Bubble flow, with lime breaker, flow rate:8lt/min)
- With swivel spout
- Length of outlet is 191 mm
- Height of outlet is 236 mm
- Measurements of hot and cold water flex hose connection are M10x1 - 3/8" (or 1/2") 40 cm
- Ideal working pressure 3-4 bar
- To prevent any damage which can be caused by the contaminants inside the fittings, a filtered interval tap is recommended.

Cartridge Diameter : Ø35  
Surface : Chrome

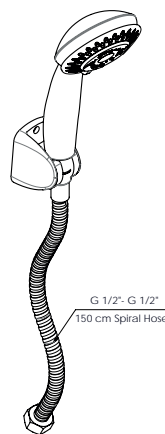
## FK01 Filtered Interval Tap



- Spherical turning on/off
- Rosette diameter Ø60 mm
- Suitable size for 3/8" connection
- Tap wall connection size is 1/2"
- Nickel plated grainy surface

Surface : Nickel

## DS50 Suspended Shower Set (Ø85)



- 5 Functions
- With lime breaker
- Massage effect
- 150 cm spiral hose (1/2"-1/2")
- With 1/2" - 3/4" adaptor

Surface : Chrome



## TERMS OF WARRANTY

- Warranty period starts from the delivery date and it is as mentioned below
- The product is under the scope of our company's guarantee inclusive of all parts of the product.
- When the product breaks down during the warranty period, the time spent for the repairing of the product is added to the warranty period.
- The repairing of the product is 20 days maksimum. This period starts when the malfunction of the product is informed to the service station, in case there is not any service station available, then it starts from the notification date to either one of the selling agent, dealer, agency, representative, importer or to the manufacturer - producer of the product. The consumer can make breakdown reporting; by telephone, fax, e-mail, registered and reply paid letter or quai ways. In case of any dispute, obligation of prof belongs to the consumer.
- In case the malfunction of the product could not be repaired within 10 days, then the manufacturer-producer or the importer of the product is obliged to provide another product with similar features to the consumer until the faulty product is repaired.
- When the product breaks down due to material and labour or due to assembly faults within the guarantee period, the product will be repaired without applying any charge for labour costs, cots of the part changed or for any reason.
- Although the consumer uses repair rights, if the product break down twice in one year due to the same fault or different malfunction takes place more than four times within a year, with the condition that these take place within the guarantee period from the date product is delivered to the consumer or total of different break downs exceeds six times within the guarantee period and provided that the non use of product becomes continuous and the maximum time limit for repairs is exceeded, then the following can be requested; consumer can request for exchange of the product free of charge, request for refund of the amount, reduction in the amount in relation to the failure when it is determined that the malfunction can not be repaired with a report that is prepared by the service station related to the product, in case there is not any service station available, by either one of the selling agent, dealer, agency, representative, importer or to the manufacturer - producer of the product.
- Malfunctions taking place due to the use that is other than the ones stated in the operating manual of the product will not be covered under the scope of warranty. When there is any conflict eith regards to the guarantee certificate, application can be made to the Protection of the Consumer and Competition General Directory.

## WARRANTY PERIOD

- Faucet and manually operated (with Cartridge / Gasket): 5(Five) Years
- Electronially operated (Photocell) armatures: Body and Chrome casing: 5(Five) Years, Fuctional pieces: 2(Two) Years
- Thermostat operated (Thermostatic) armatures: 5(Five) Years
- Valves: 5(Five) Years
- Shower Systems: 5(Five) Years
- GPD Antik: 2(Two) Years
- PVD Gold, PVD Rose Gold,Black,Granite ve Copper Plated products: 2(Two) Years
- Plastic products: 5(Five) Years

## CONDITIONS OUTSIDE OF THE SCOPE OF THE WARRANTY

- Faults occured due to wron installation and usage contrary to the user's manuel.
- Faults taking place due to wron installation available or due to faulty mounting of the product by the consumer other tahn authorised service
- Possible problems occuring on the installations that do not have pressure regulation (installations, where water pressure regulation or water pressurisation units are used) (Ideal operation pressure between 3-4 bar
- Possible problems occurring due to sand, sludge, canvas, construction residues because of the non of intermediate tap with filter and filter.
- Possinle problems occurring due to dropping or being impacted during handling, loading, unloading and mounting
- Possible problmes occurring on the syface of the products that wait for long times at the construction sites.
- Break downs occurring due to misuse or hard use.
- Problems related to scaling
- Deformations taking place due to use of acids or cleaning materials that contain avrasive substances
- Break downs occurring due to use of parts that are nor original spare parts
- Parts, casings, cartridges that crack due to freezing
- Absence of approved warrenty certificate or invoice
- Misuse the products.

## TSE UYGUNLUK BELGELERİMİZ

TS EN 200 TAPS, DOUBLE CONTROL ARMATURES  
TS EN 817 SINGLE CONTROL ARMATURES (MIX)  
TS EN 1111 THERMOSTATIC ARMATURES  
TS EN 15091 PHOTOCCELL ARMATURES

TS EN 1213 STOP/BLOW-OFF VALVES  
TS 579 RADIATOR VALVE AND UNIONS  
TS EN 1567 WATER PRESSURE REGULATOR  
TS EN 12288 GATE VALVES

TS EN 13828 BALL VALVES  
TS EN 331 COMBUSTIBLE GAS BALL VALVE  
TS EN 1254-3 PIPE CONNECTION UNITS  
TSE K 8575 3/4" - 1" MAIN TAP  
TSE K 225 PIPE CONNECTION UNITS  
TSE K 103 SUBSCRIBER CONNECTION VALVES  
TS EN 13547 INDUSTRIAL BALL VALVES





[www.gpd.com.tr](http://www.gpd.com.tr)  
[export@gpd.com.tr](mailto:export@gpd.com.tr)  
Phone: +90 212 879 0030 (pbx)  
Fax: +90 212 879 0035  
[facebook.com/gpdaimasizlerle](https://facebook.com/gpdaimasizlerle)  
instagram @gpdarmatur